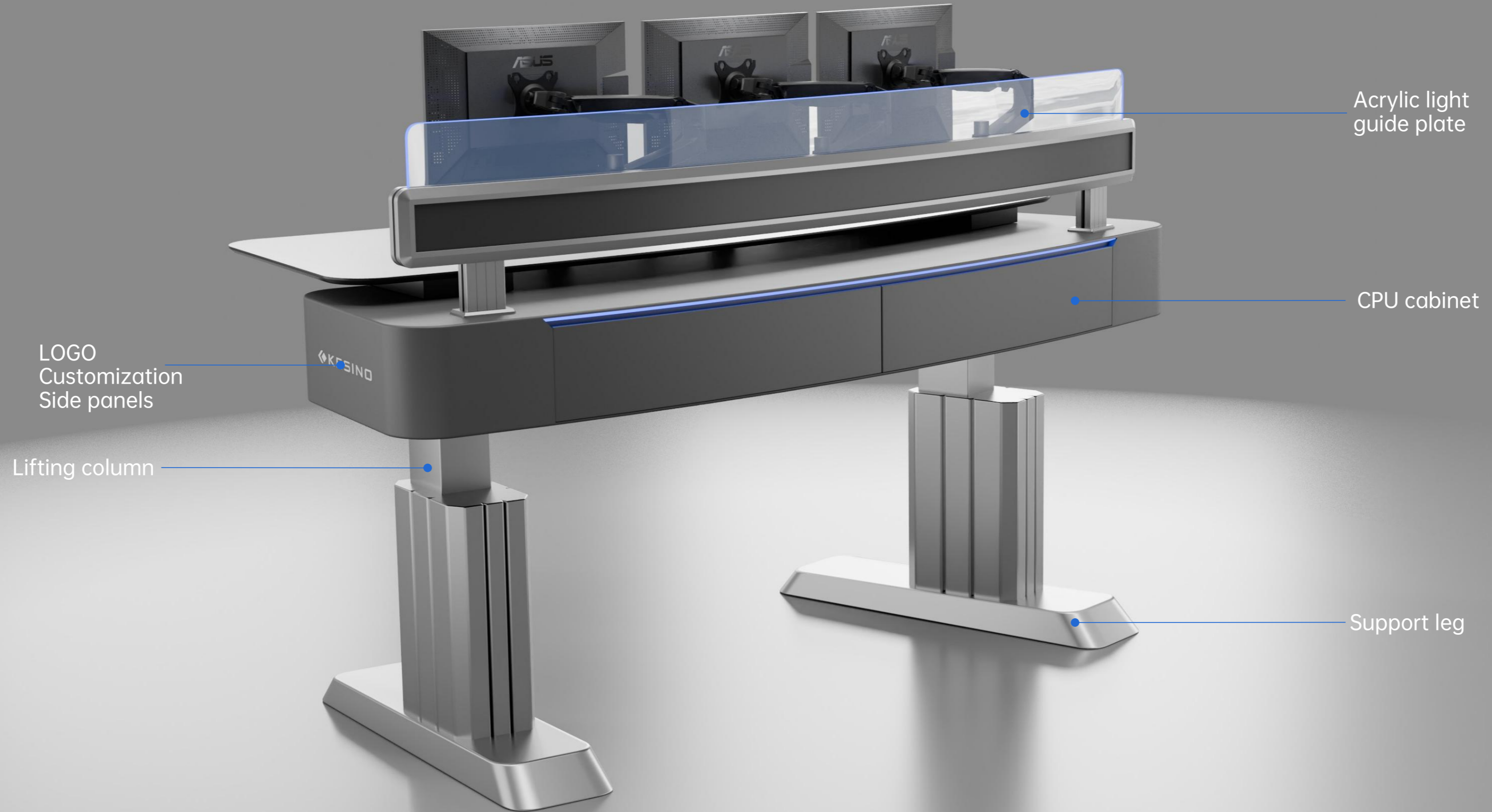


# KCH-23-A

CONTROL ROOM CONSOLE PROVIDER



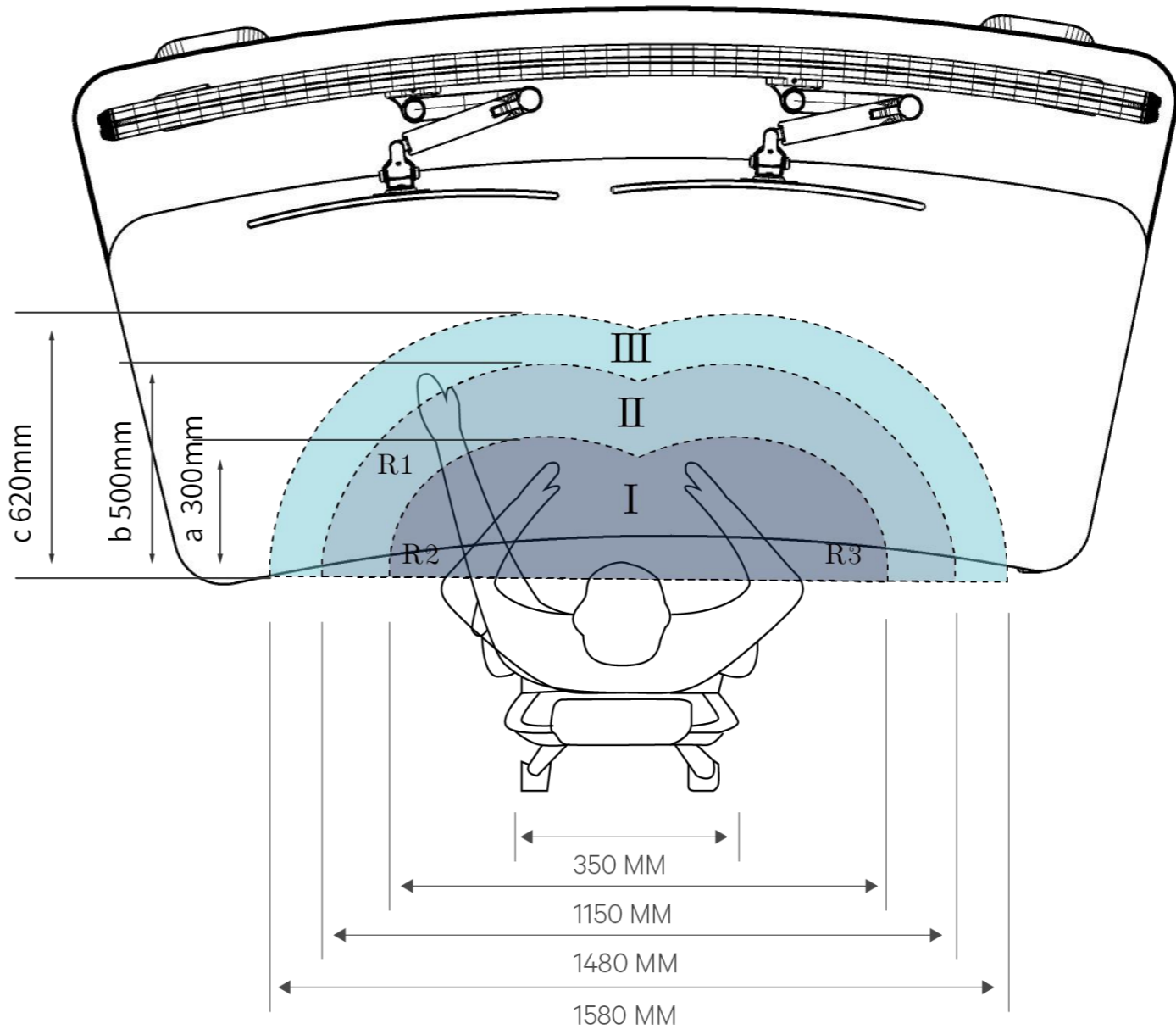
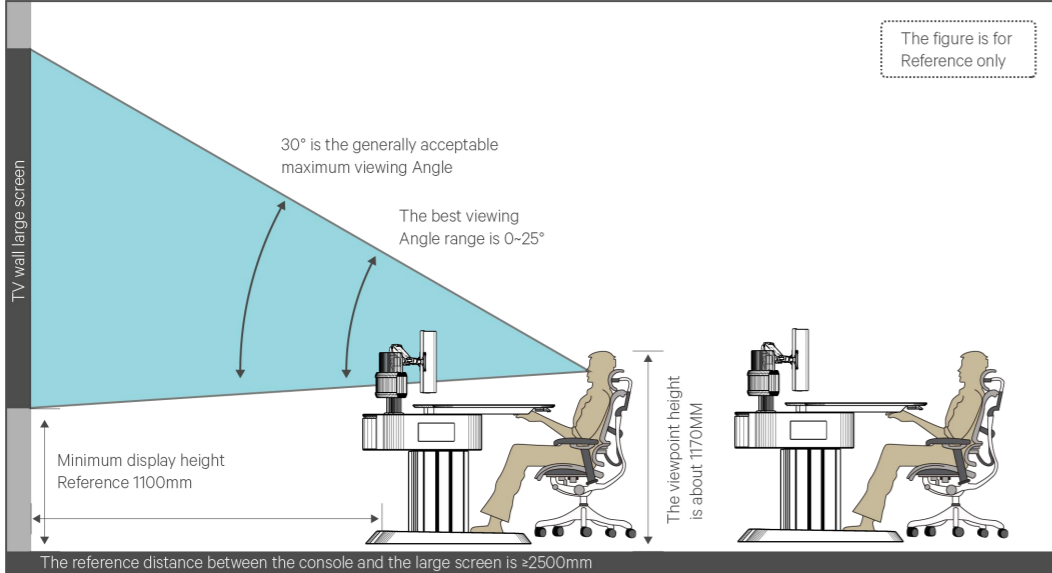




# Visually ergonomic design

## Efficient and comfortable office

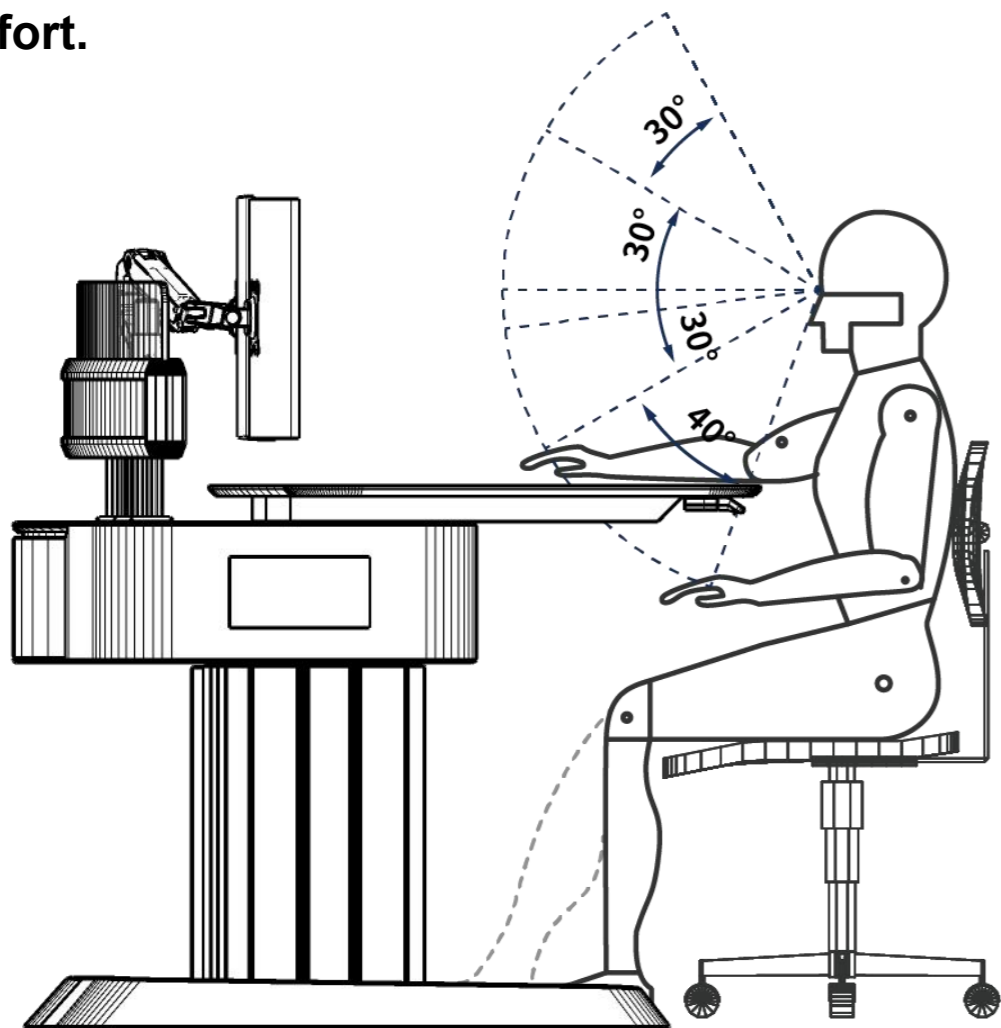
Kesino applies ergonomics to optimize the equipment and functions based on the basic functions and performance of the original design of the console based on the range of movements and activities of the staff, the physiological structure of the human body, psychological conditions, ways of thinking, etc. It makes workers very convenient and comfortable both in visiting and using.



- Operation domain division:
- I Comfortable operating area
  - II Effective operating area
  - III Extensible operating area

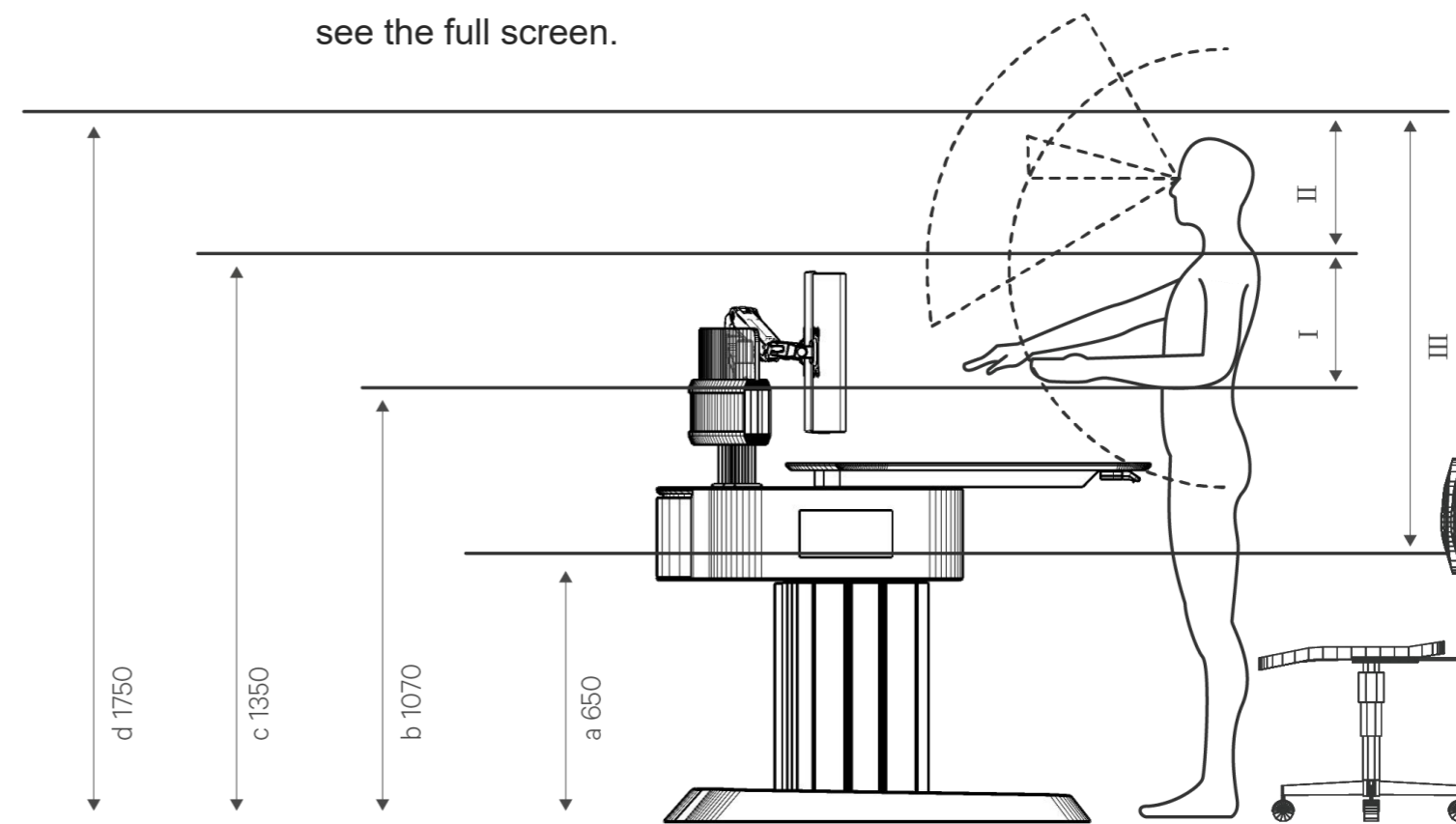


**Kesino follows world-recognized standards and fully considers factors such as viewing distance, viewing angle, equipment, etc., to achieve the perfect unity of engineering, medicine, and design, and achieve better comfort.**



The console provides users with an ideal workspace (for reference only)

- Taking into account the reasonableness of the operator's up and down, left and right sight distances.
- The operating distance is designed according to a reasonable and comfortable distance.
- Help customers analyze the optimal viewing distance for large screens and the reasonable arrangement of consoles to ensure that staff can see the full screen.

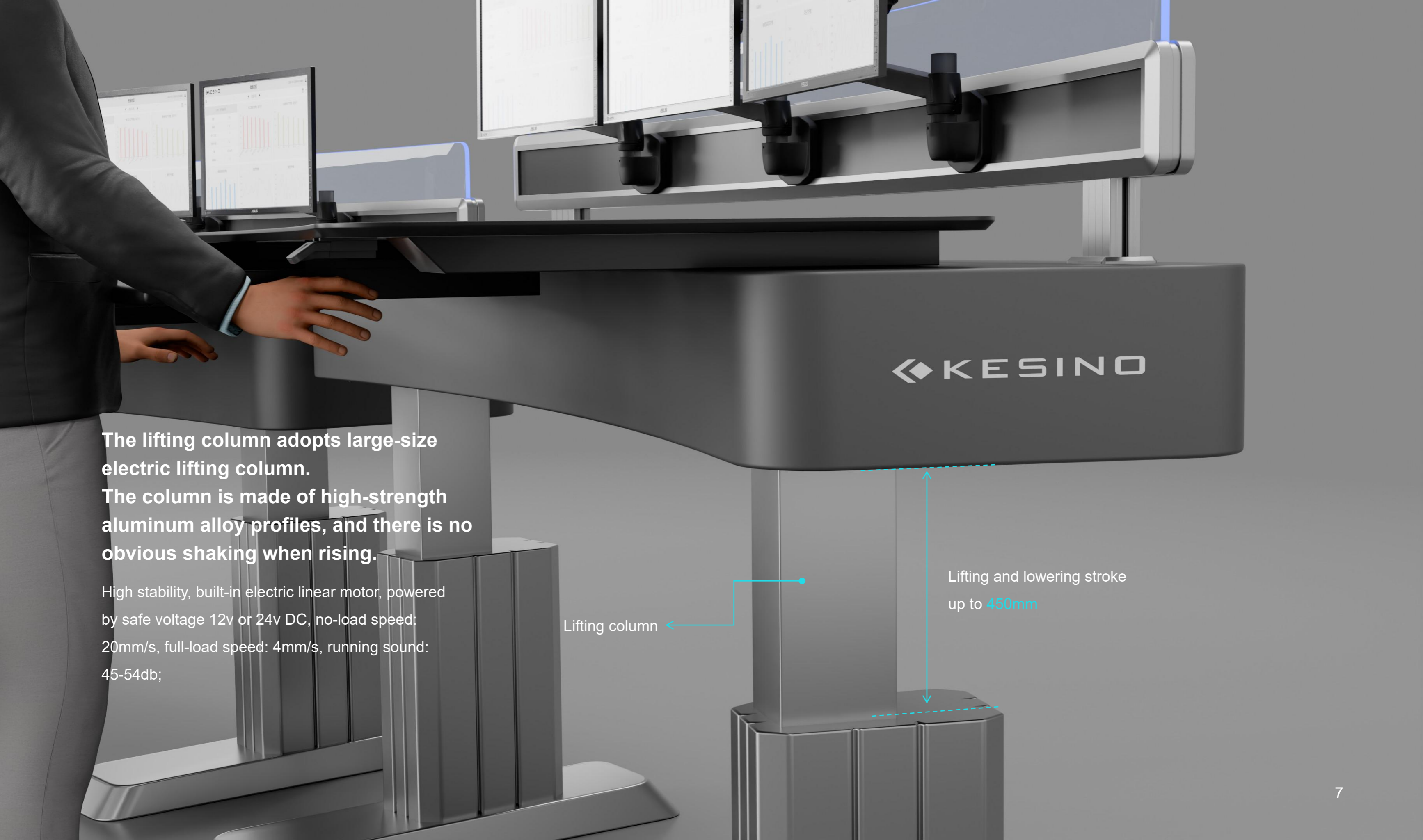


## Lift function

### Alternate standing and sitting postures

The lifting function of the console meets the needs of both sitting and standing work. The lifting design of the table can be raised and lowered synchronously in the front and rear at the same time, or the front and back surfaces can be raised and lowered independently. At the same time, the TV stand also has an independent lifting function to meet the needs of alternating standing and sitting postures and height positions. Adjustment and line of sight requirements, the lifting stroke is <math>< 500\text{mm}</math>, and the lifting and lowering can be controlled at any time through the control panel to meet personalized operation needs, and can prevent and treat cervical and lumbar spine diseases caused by long periods of sitting.





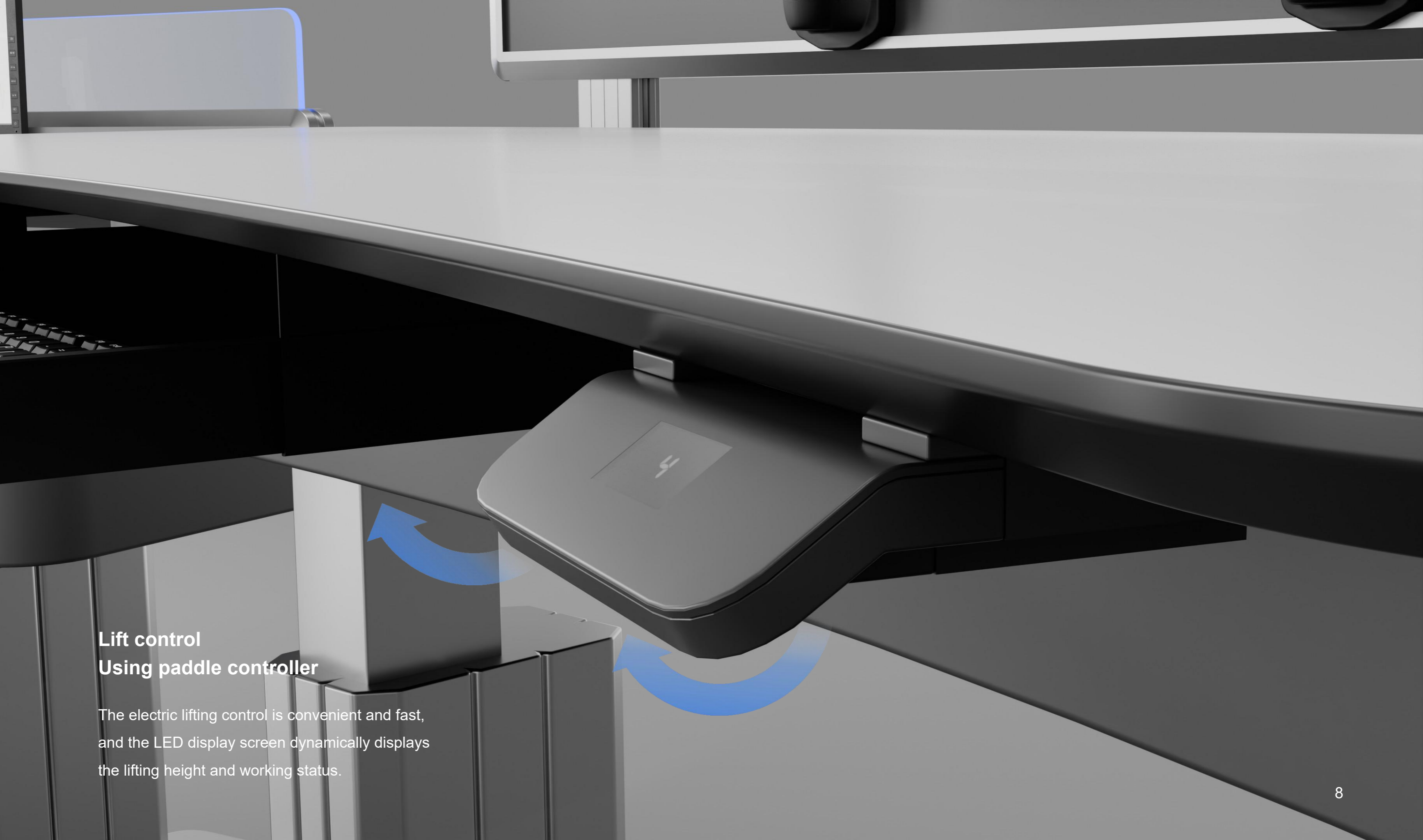
◀ KESINO

**The lifting column adopts large-size electric lifting column. The column is made of high-strength aluminum alloy profiles, and there is no obvious shaking when rising.**

High stability, built-in electric linear motor, powered by safe voltage 12v or 24v DC, no-load speed: 20mm/s, full-load speed: 4mm/s, running sound: 45-54db;

Lifting column ←

Lifting and lowering stroke up to 450mm



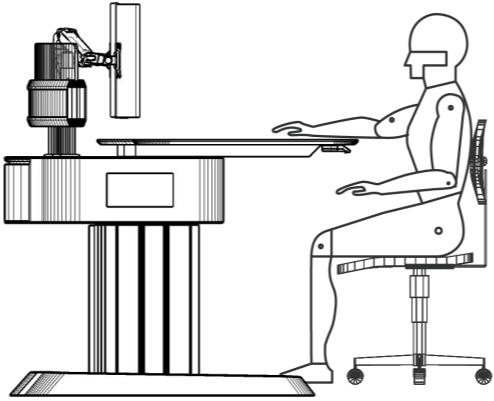
**Lift control  
Using paddle controller**

The electric lifting control is convenient and fast, and the LED display screen dynamically displays the lifting height and working status.

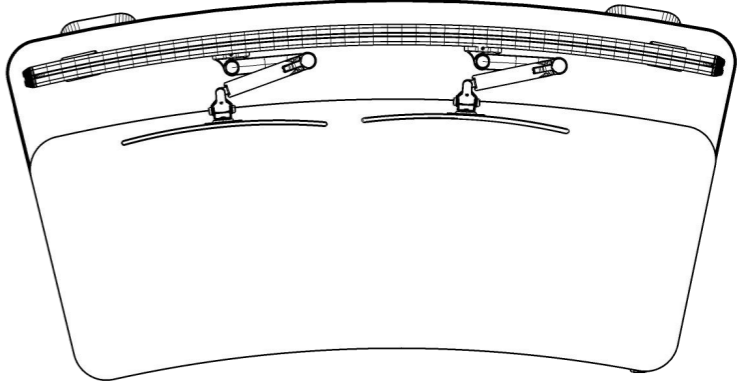


**Height Adjustable  
Alternate standing and sitting  
postures (schematic diagram)**

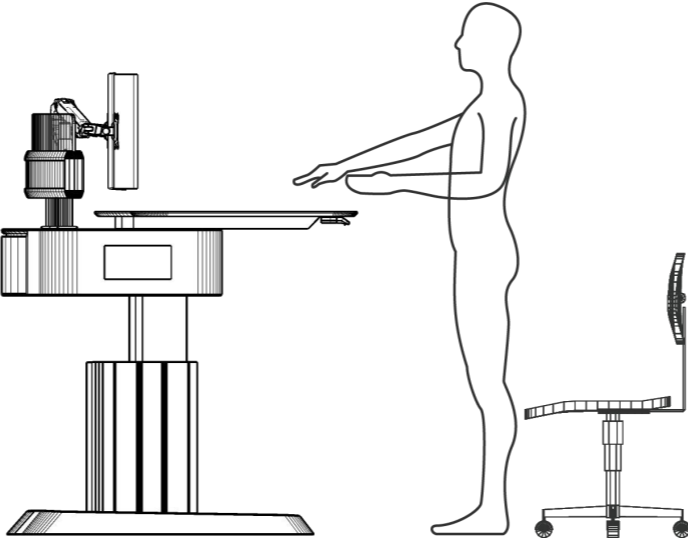
The lifting function of the console meets the needs of both sitting and standing work. The lifting design of the table can be raised and lowered synchronously in the front and rear at the same time, or the front and back surfaces can be raised and lowered independently. At the same time, the TV stand also has an independent lifting function to meet the needs of alternating standing and sitting postures and height positions. Adjustment and line of sight requirements, the lifting stroke is <math><500\text{mm}</math>, and the lifting and lowering can be controlled at any time through the control panel to meet personalized operation needs, and can prevent and treat cervical and lumbar spine diseases caused by long periods of sitting.



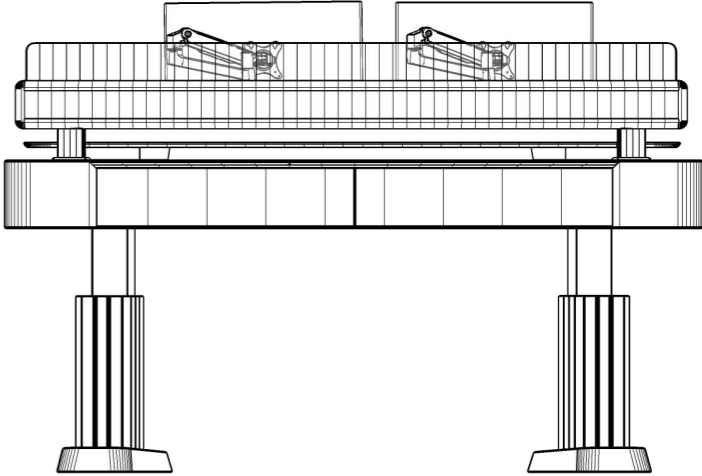
**SIDE ELEVATION**



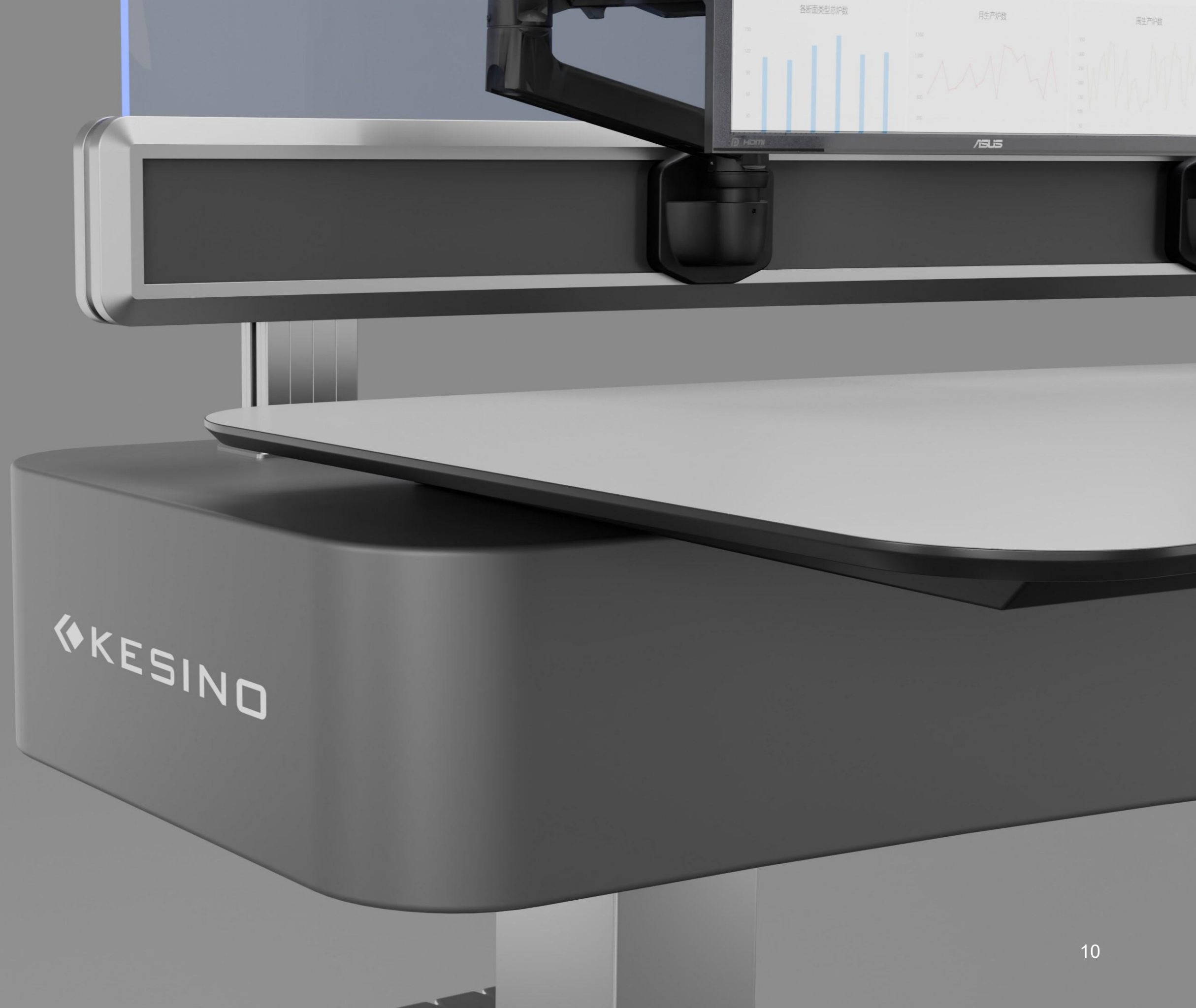
**Top view**



**Unilateral lifting**



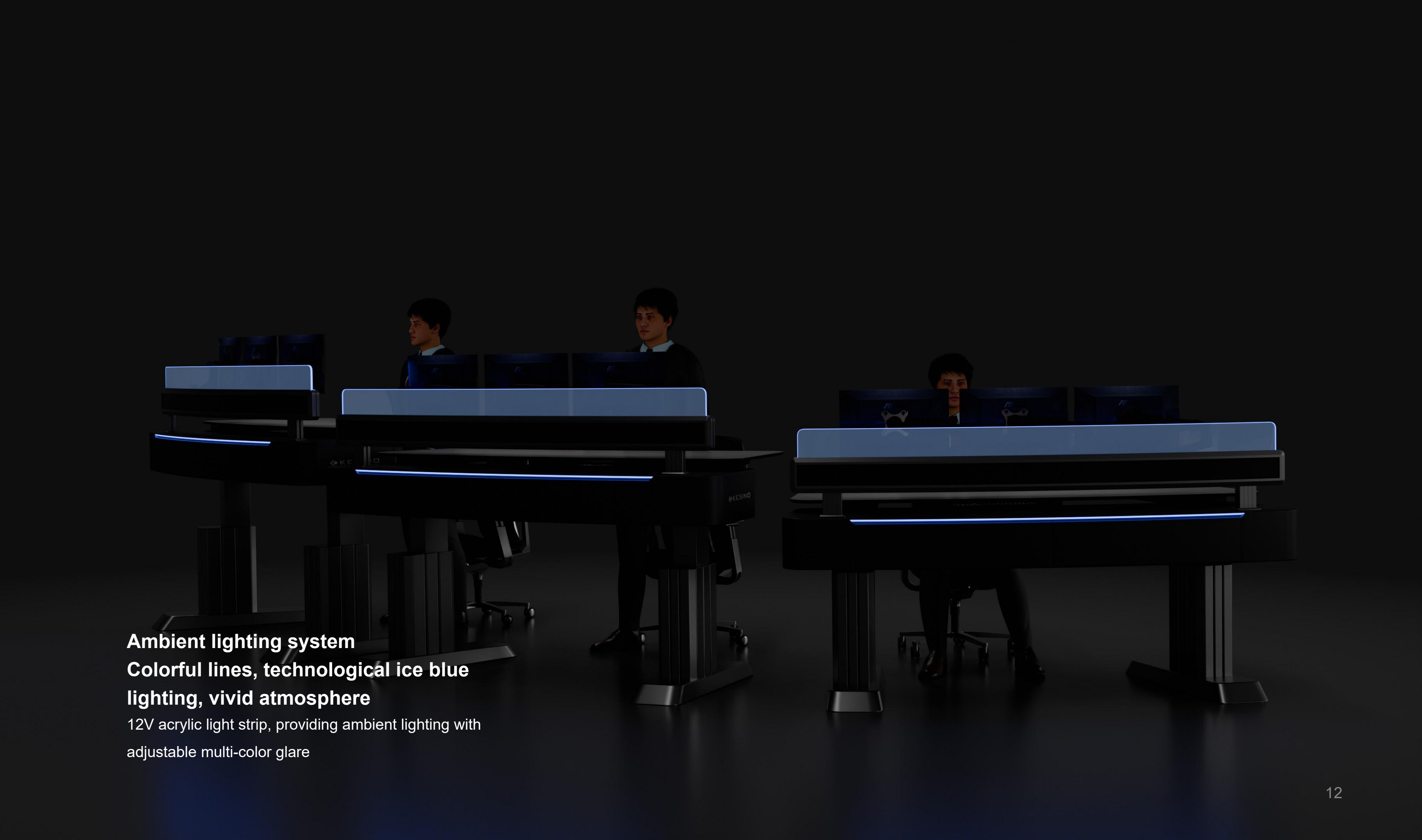
The side panels have a technological  
and fashionable appearance  
Logo Customization





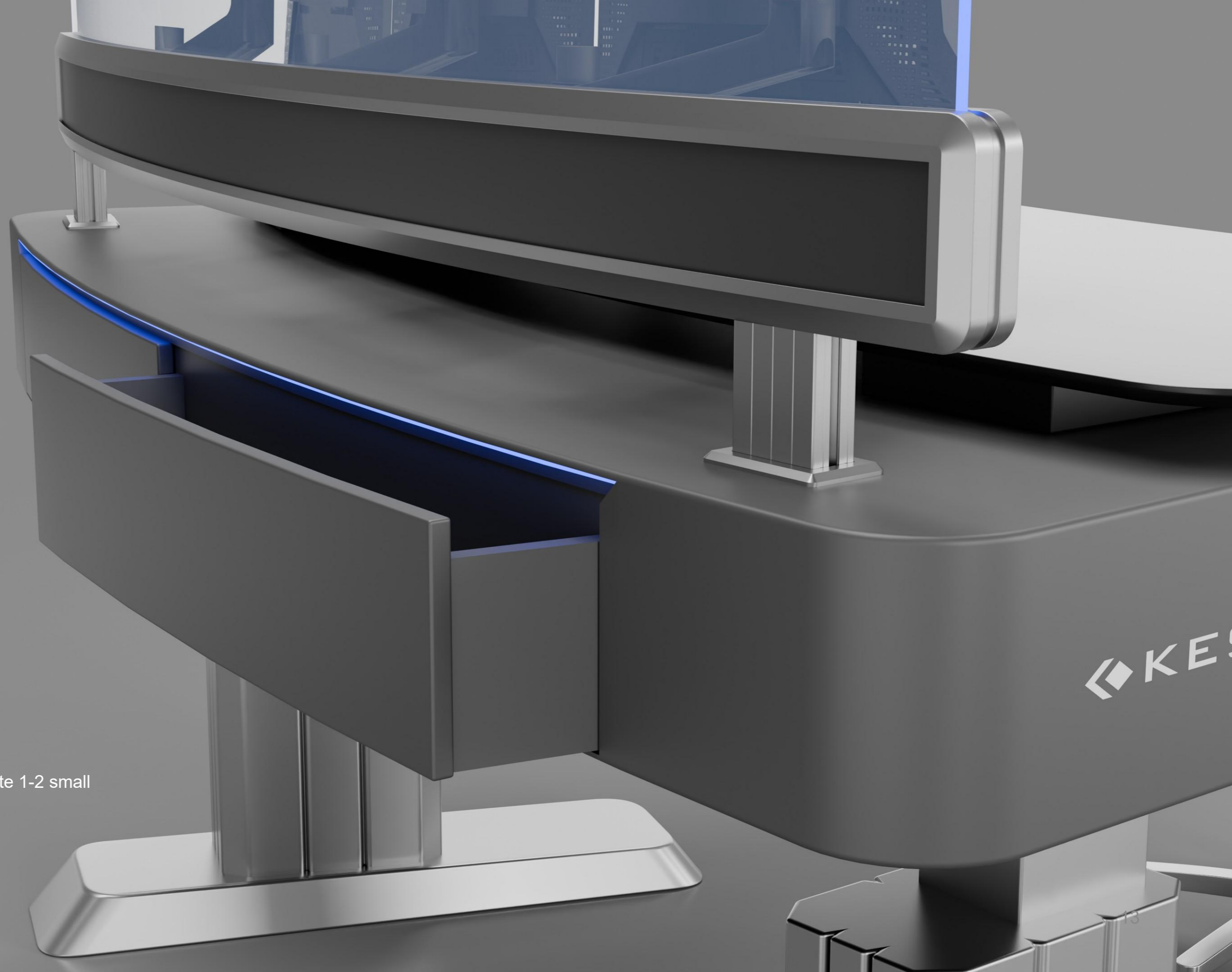
### **Use HPL (Compact Board) as the table top**

Compact board is an extremely versatile building decoration. It is the evolution of single-sided color fireproofing and has excellent product properties such as excellent waterproof, scratchproof, fireproof, and rich colors. It is suitable for indoor environments as a structural support material for planes and facades. It is the choice for public places with humidity, high pressure, and high load.

A modern office workstation featuring a large, dark desk with a curved front edge. The desk is supported by a sturdy, multi-column base. A person is seated at the desk, working on a computer with multiple monitors. The desk is illuminated with a vibrant, technological ice blue light that emanates from a horizontal strip along the front edge and from a vertical strip on the side. The overall atmosphere is sleek and futuristic.

**Ambient lighting system**  
**Colorful lines, technological ice blue**  
**lighting, vivid atmosphere**

12V acrylic light strip, providing ambient lighting with adjustable multi-color glare



### **Convenient drawer cabinet**

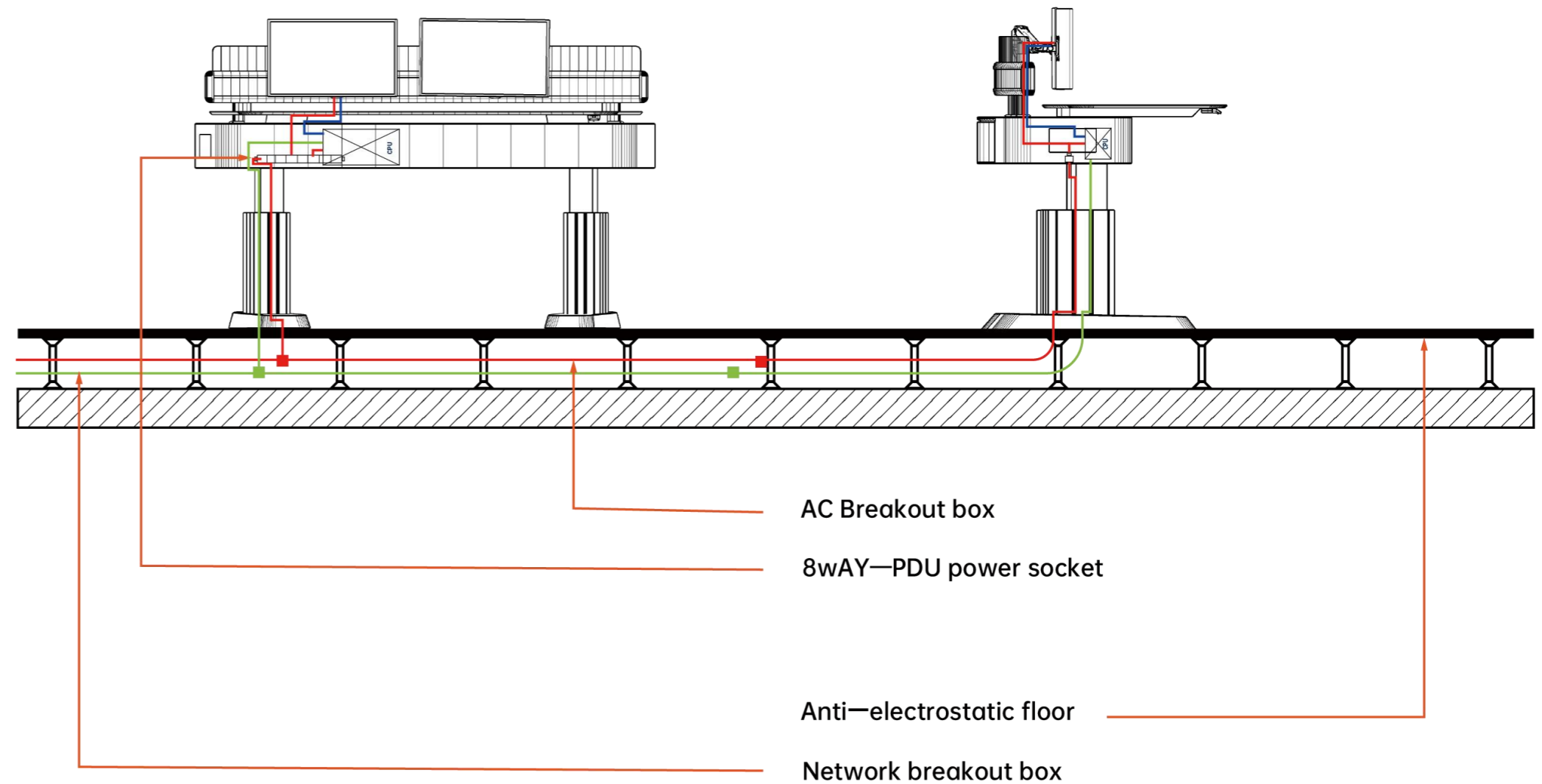
Base cabinet space can accommodate 1-2 small mainframes.



## Professional wiring process

### Short and smooth cable management system

- 1) Professional wiring channels are set up inside the console to adapt to the overall system environment.
- 2) Sufficient internal space allows for standard, neat, smooth, beautiful, reasonable and safe wiring.
- 3) It has the function of separating strong and weak electricity to avoid mutual interference.
- 4) A standard 19-inch equipment rack is optional internally, which facilitates the installation and wiring arrangement of 19-inch standard equipment.



**Mold design**  
**Free layout**

Flexible change of console placement



Materials:

## Structural member :

The structural parts of the table body are made of high-quality cold-rolled galvanized steel sheets with a thickness of 2.0mm. They adopt environmentally friendly spraying technology and have good anti-yellowing performance and surface smoothness.

---

## Main frame :

The main frame and screen are made of 6063-T5 aluminum alloy profiles and use special connectors with high connection strength, strong resistance to deformation, corrosion resistance, acid and alkali resistance, never rust, and a lifespan of 20 years without deformation.

---

## Compact board (HPL) :

Compact board is an extremely versatile building decoration. It is the evolution of single-sided color fireproofing and has excellent product properties such as excellent waterproof, scratchproof, fireproof, and rich colors. It is suitable for indoor environments as a structural support material for planes and facades. It is the choice for public places with humidity, high pressure, and high load.





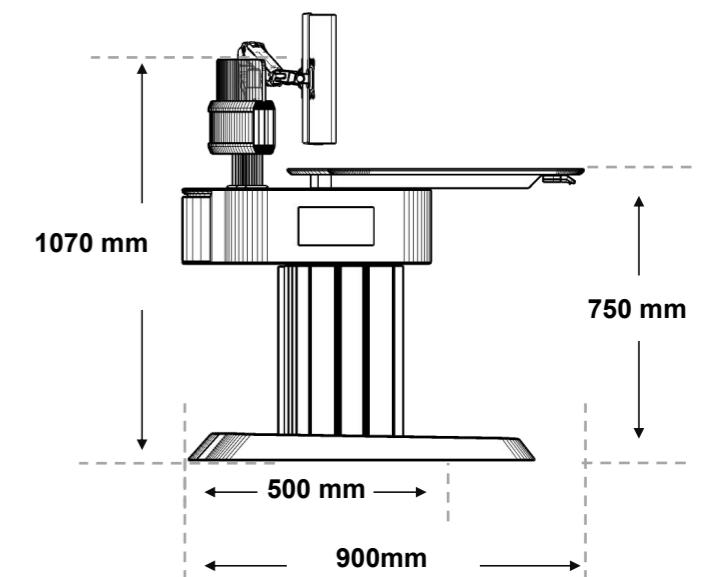
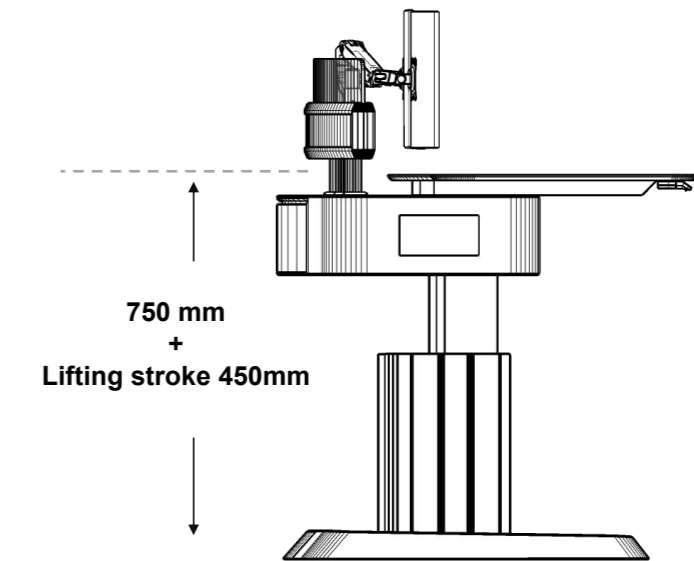
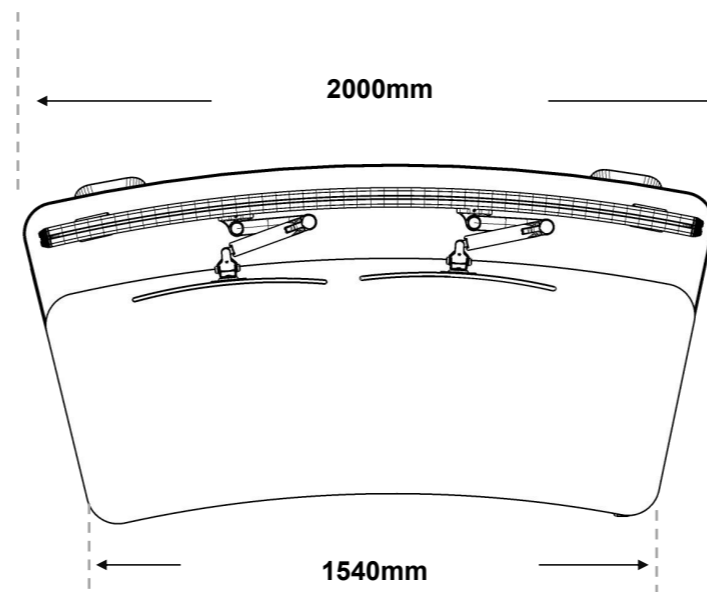
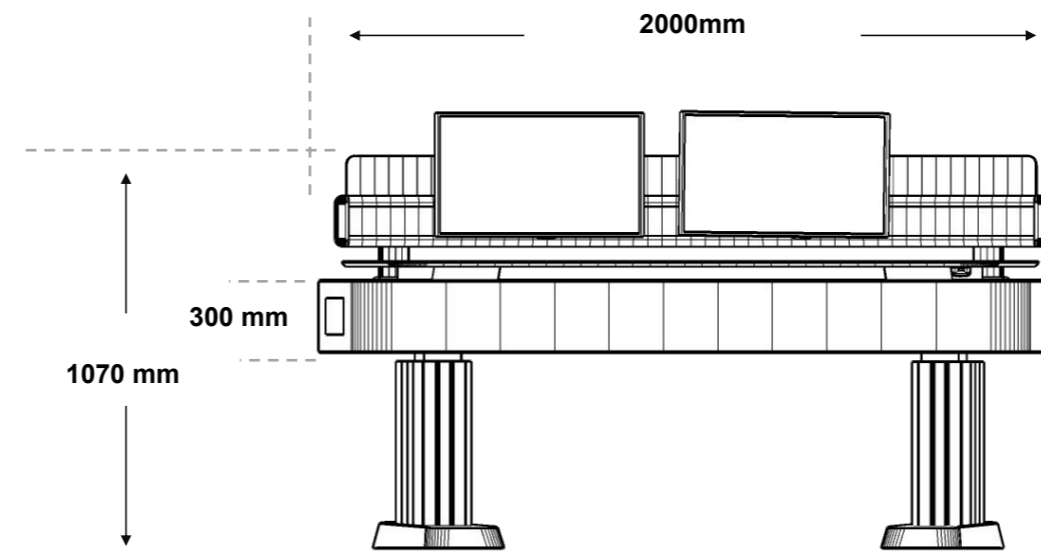
## Product Design

To provide you with the standard size of the console

### KCH-23-A Dimension

#### ● Materials

- The host frame adopts 6063-T5
- Aluminum alloy profiles
- Anti-fold plate
- Polyurethane edge sealing
- Acrylic light guide plate
- Cold rolled galvanized steel plate





Address: Lishuiqiao North Road, Changping District, Beijing (Beijing Branch)  
Funiu Road, Industrial Cluster Area, Tanghe County, Nanyang City, Henan Province (Factory)  
No. 329, Yushan West Road, Panyu District, Guangzhou City, Guangdong Province (Guangzhou Branch)

Service hotline: 4008313600  
Phone: 86-010-57204933  
Email: [bjkesino@126.com](mailto:bjkesino@126.com)  
Website: [www.bjkesino.com](http://www.bjkesino.com)

