

# KCE-23-D

CONTROL ROOM CONSOLE PROVIDER



E0 Environmental  
HPL decorative panel

Polyurethane  
edge sealing

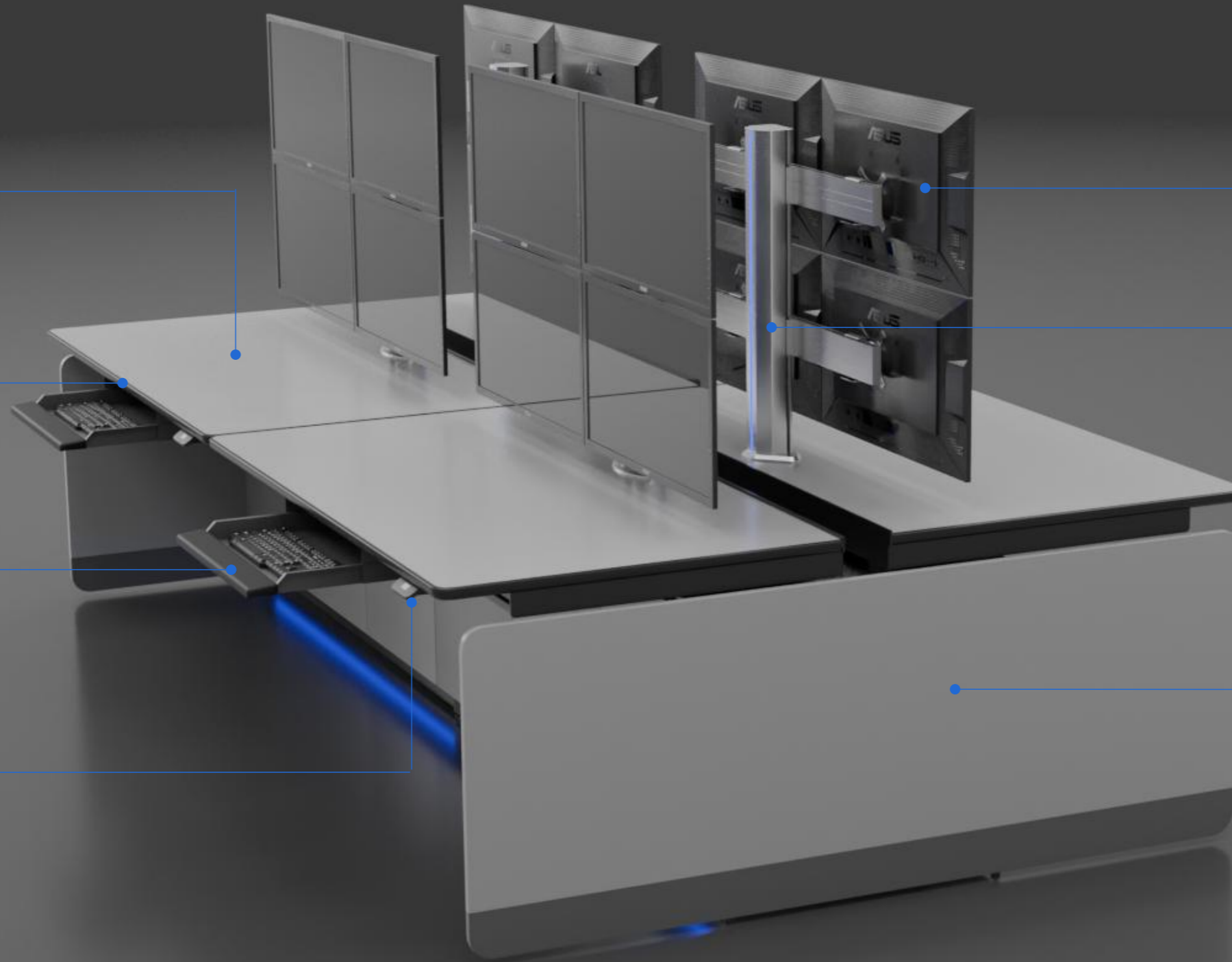
Cable tray

Paddle lift  
controller

27" Moitors

Aluminum alloy  
multi-screen Stand

LOGO Customization  
Side panels





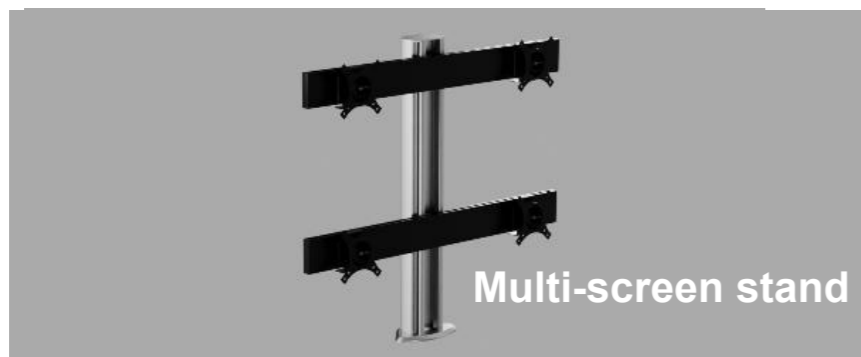
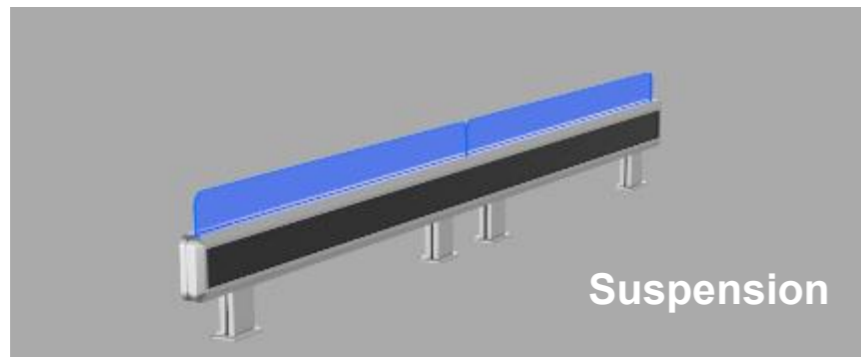
Cable drag chain

LOGO  
Customization  
Side panels

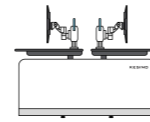
CPU cabinet

LED Light to Ground

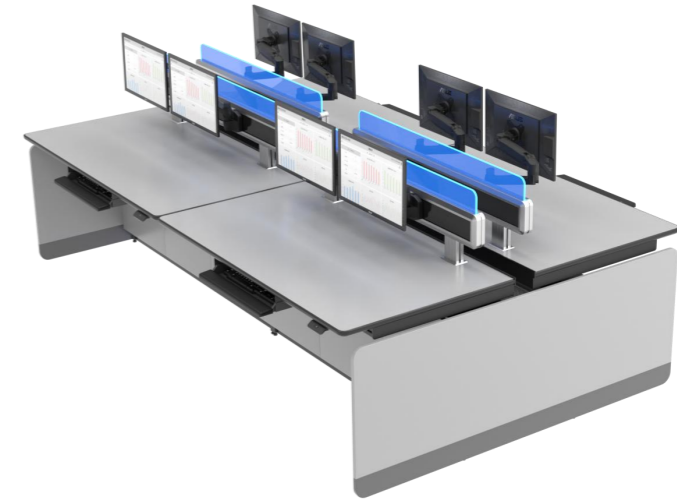
## Various Slat-wall to choose Free matching



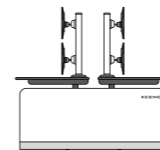
## 01 Suspension Slat-wall



Movable and smart combination, flexible layout,  
High strength aluminum profile frame  
Colorful lines, colorful lights variable  
Luminous pattern on the side panel, exclusive  
appearance, showing nobility



## 03 Multi-screen stand

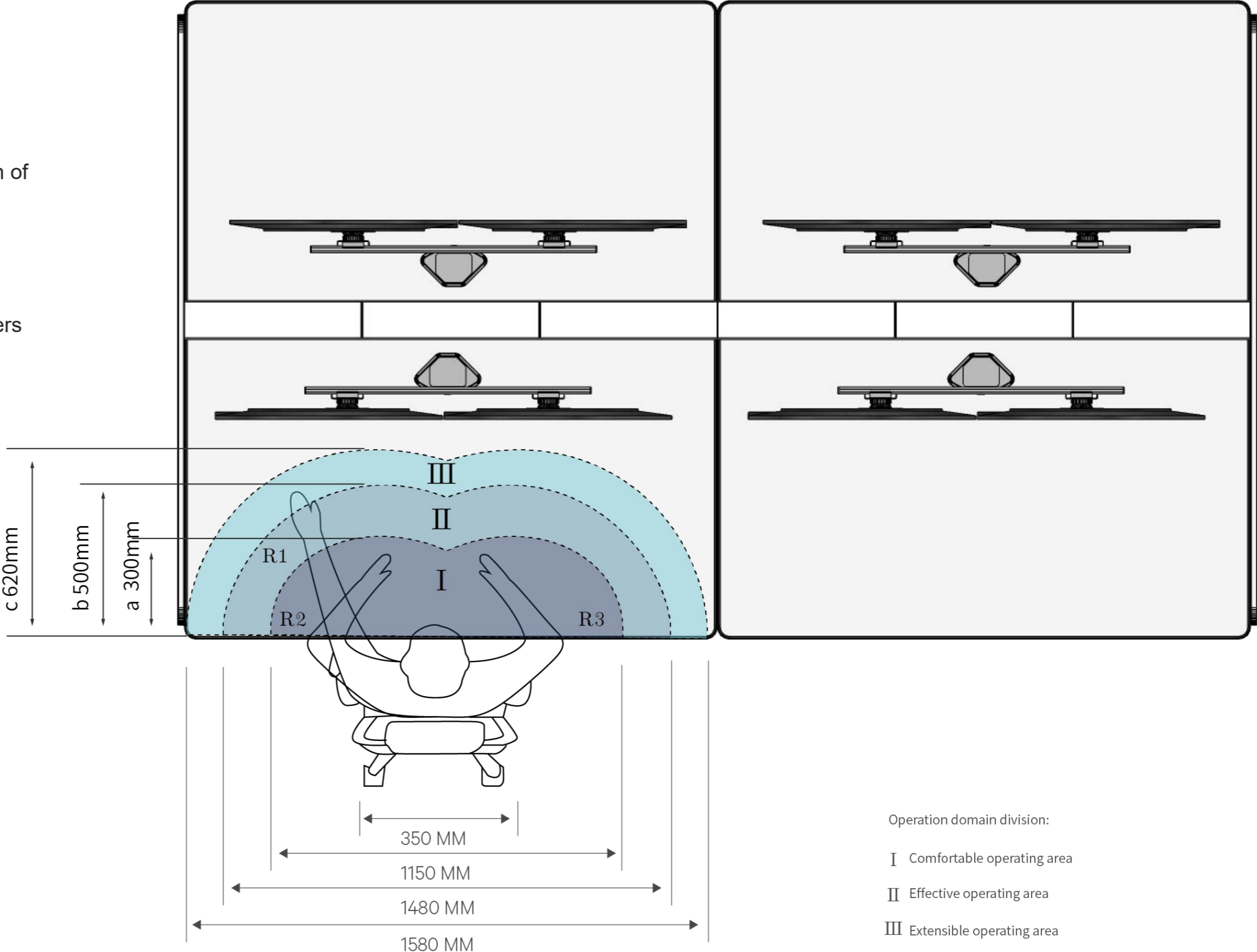


Movable and smart combination, flexible layout,  
High strength aluminum profile frame  
Colorful lines, colorful lights variable  
Luminous pattern on the side panel, exclusive  
appearance, showing nobility



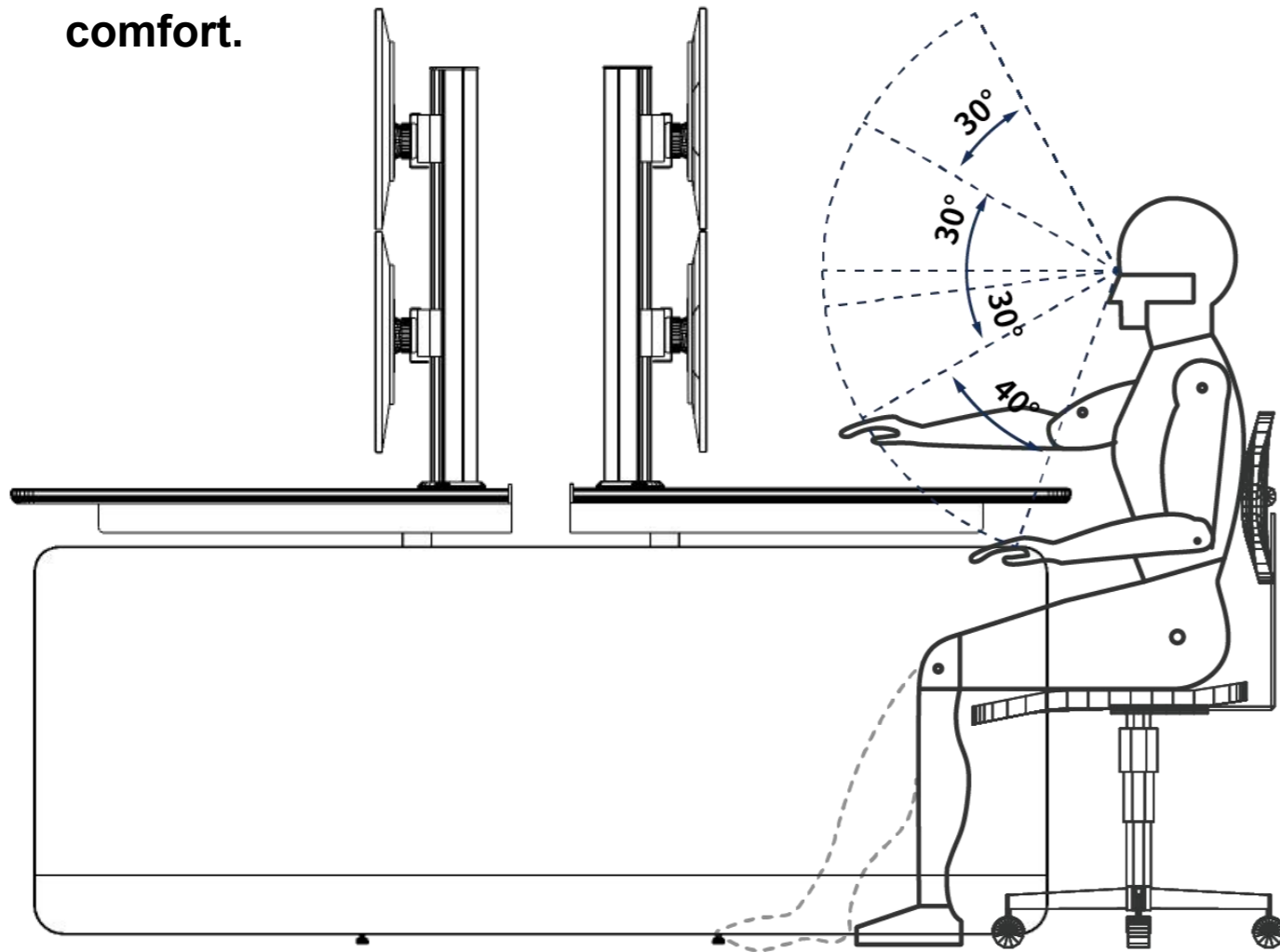
**Visually ergonomic design**  
**Efficient and comfortable office**

Kesino applies ergonomics to optimize the equipment and functions based on the basic functions and performance of the original design of the console based on the range of movements and activities of the staff, the physiological structure of the human body, psychological conditions, ways of thinking, etc. It makes workers very convenient and comfortable both in visiting and using.



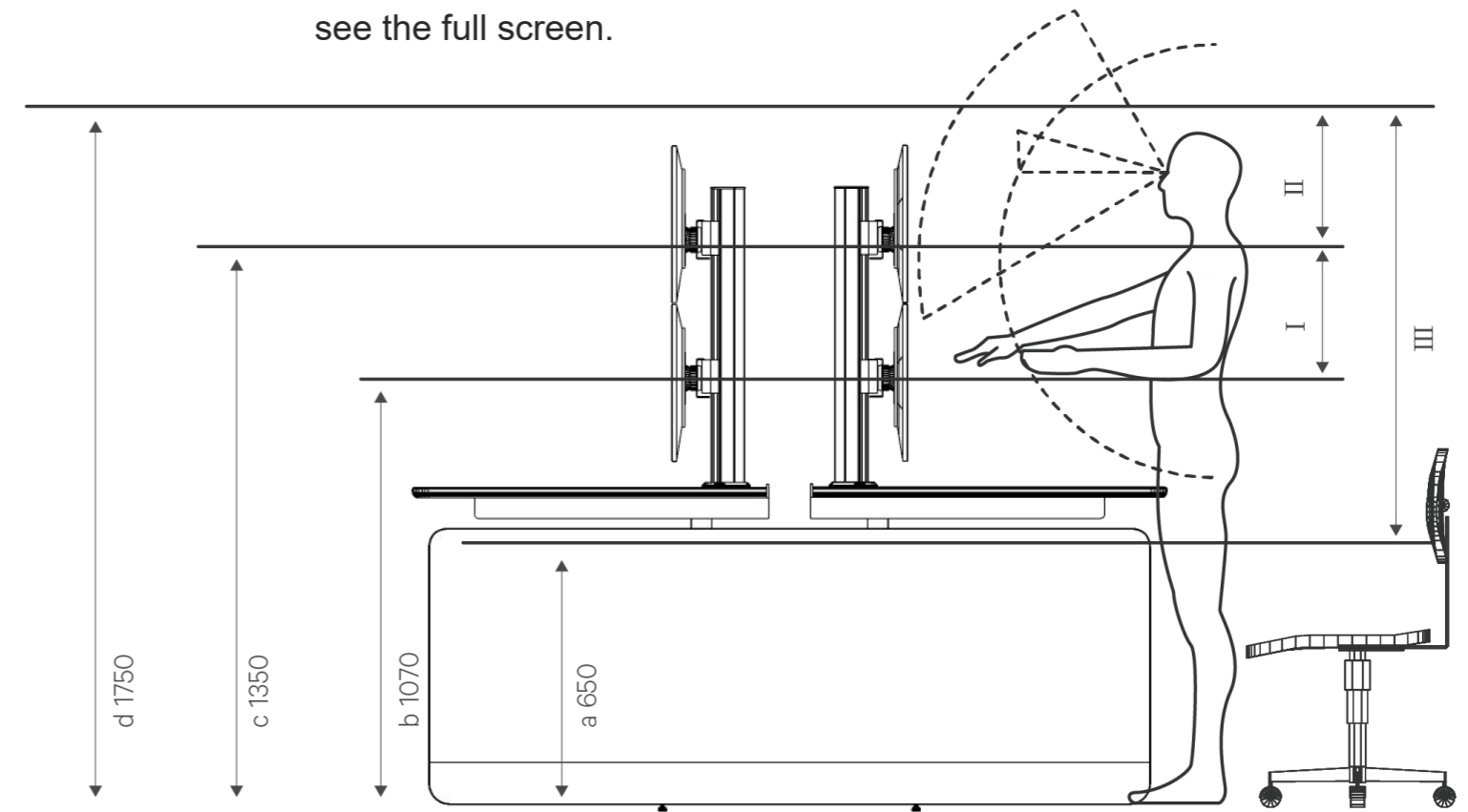


**Kesino follows world-recognized standards and fully considers factors such as viewing distance, viewing angle, equipment, etc., to achieve the perfect unity of engineering, medicine, and design, and achieve better comfort.**



The console provides users with an ideal workspace (for reference only)

- Taking into account the reasonableness of the operator's up and down, left and right sight distances.
- The operating distance is designed according to a reasonable and comfortable distance.
- Help customers analyze the optimal viewing distance for large screens and the reasonable arrangement of consoles to ensure that staff can see the full screen.





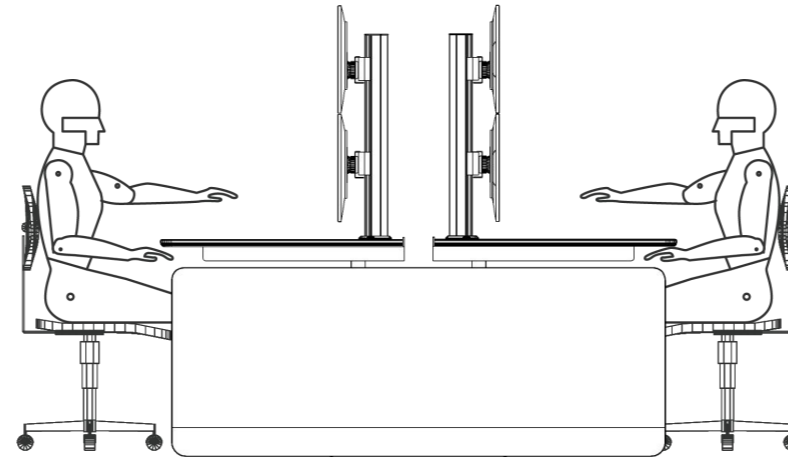
## Lift function

### Alternate standing and sitting postures

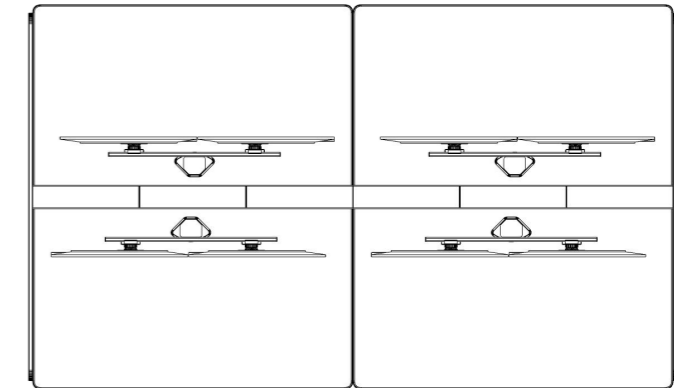
The lifting function of the console meets the needs of both sitting and standing work. The lifting design of the table can be raised and lowered synchronously in the front and rear at the same time, or the front and back surfaces can be raised and lowered independently. At the same time, the TV stand also has an independent lifting function to meet the needs of alternating standing and sitting postures and height positions. Adjustment and line of sight requirements, the lifting stroke is <math><500\text{mm}</math>, and the lifting and lowering can be controlled at any time through the control panel to meet personalized operation needs, and can prevent and treat cervical and lumbar spine diseases caused by long periods of sitting.

**Lift function**  
**Alternate standing and sitting**  
**postures (schematic diagram)**

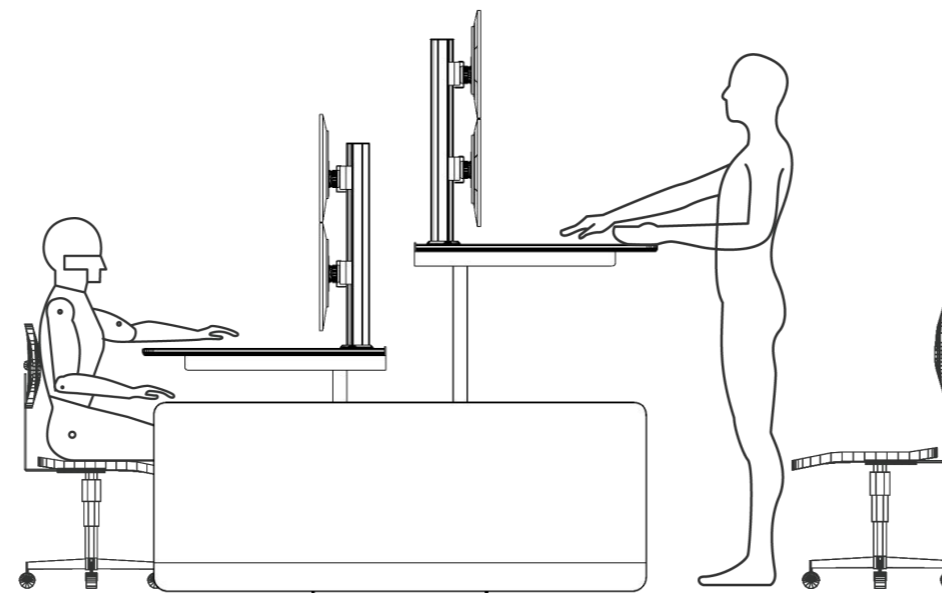
The lifting function of the console meets the needs of both sitting and standing work. The lifting design of the table can be raised and lowered synchronously in the front and rear at the same time, or the front and back surfaces can be raised and lowered independently. At the same time, the TV stand also has an independent lifting function to meet the needs of alternating standing and sitting postures and height positions. Adjustment and line of sight requirements, the lifting stroke is <math><500\text{mm}</math>, and the lifting and lowering can be controlled at any time through the control panel to meet personalized operation needs, and can prevent and treat cervical and lumbar spine diseases caused by long periods of sitting.



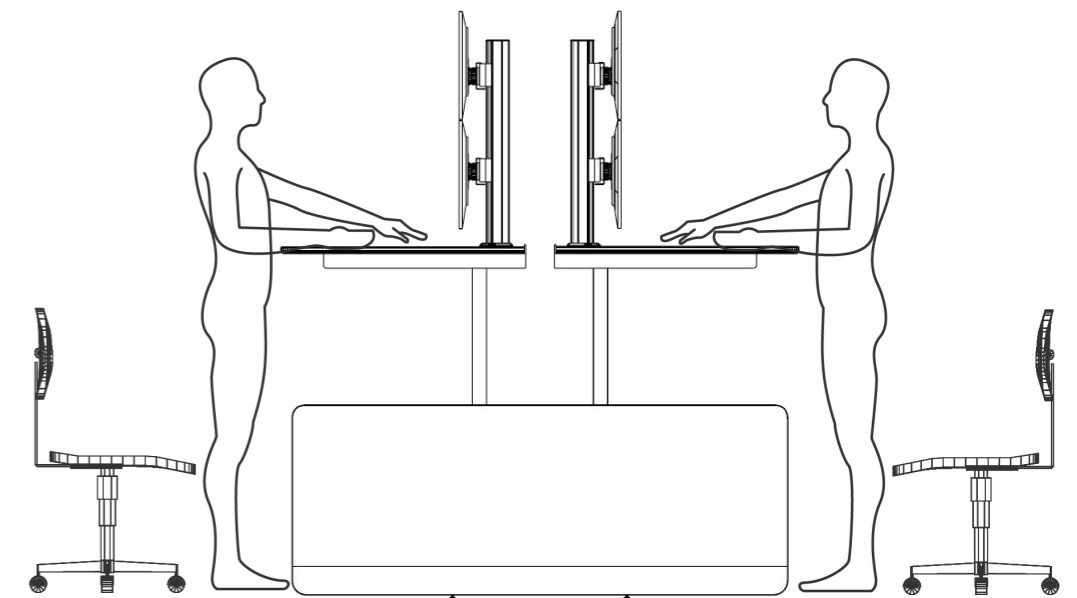
**SIDE ELEVATION**



**Top view**



**Unilateral lifting**



**Double lift**





**Lift control**  
**Using paddle controller**

The electric lifting control is convenient and fast, and the LED display screen dynamically displays the lifting height and working status.

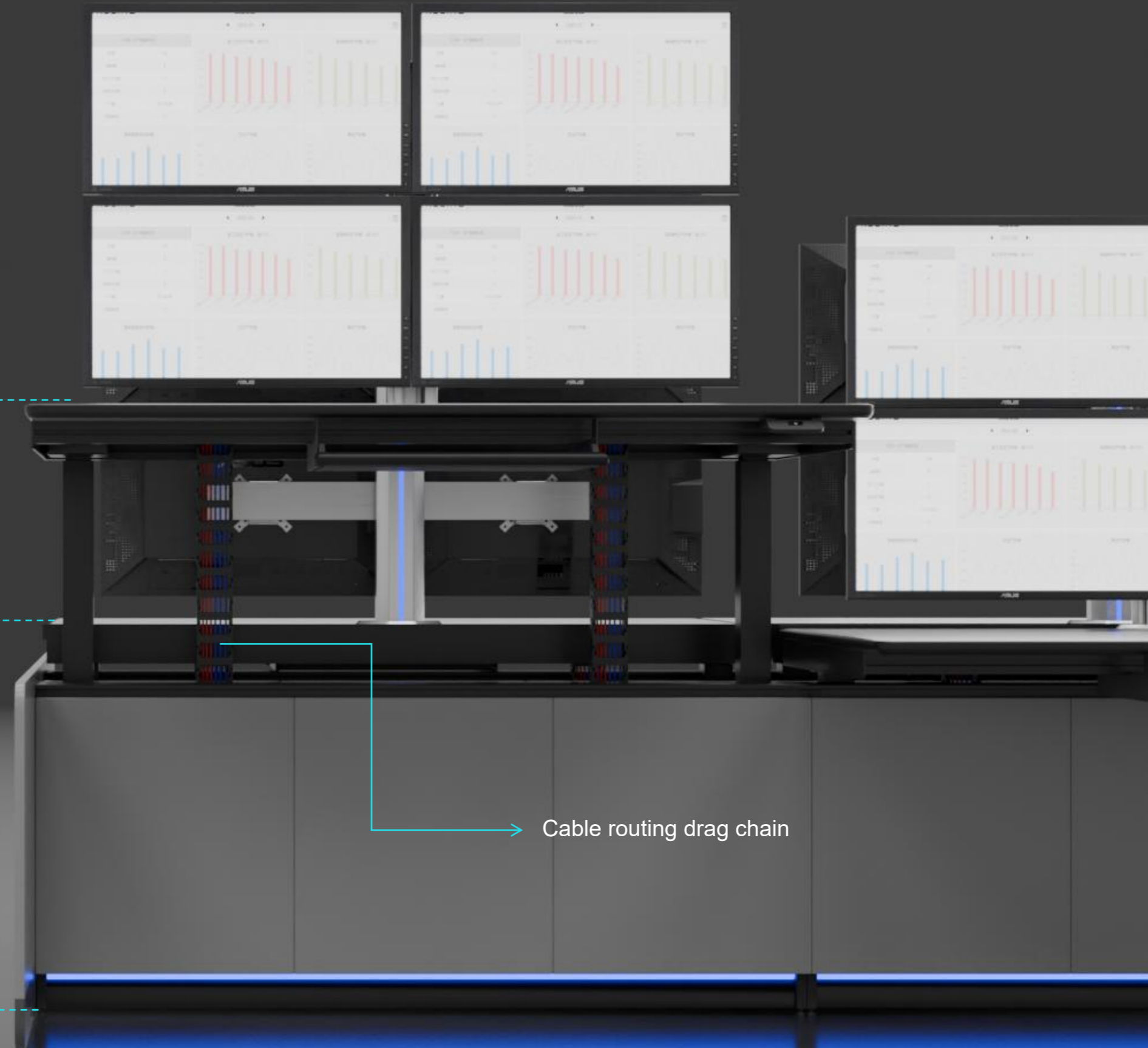
**Lifting column adopts small size electric lifting column**

**The column is made of high-strength aluminum alloy profiles, and there is no obvious shaking when rising.**


High stability, built-in electric linear motor, powered by safe voltage 12v or 24v DC, no-load speed: 20mm/s, full-load speed: 4mm/s, running sound: 45-54db;

Lifting and lowering stroke up to 450mm

Original height of table above ground 750mm



Cable routing drag chain

A person wearing light-colored trousers and brown shoes is sitting in a modern office chair. The chair is positioned under a desk. A bright blue light strip is visible under the desk, illuminating the floor and the person's legs. The scene is set in a dark, minimalist office environment.

**Ambient lighting system**  
**Anti-collision design for legs and**  
**anti-kick function, making legs more**  
**comfortable**

Colorful lines, technological ice blue lighting, vivid atmosphere

12V acrylic light strip, providing ambient lighting with adjustable multi-color glare



总深度: 1800mm

深度: 850mm

一组台面长度: 1500mm



E0 Environmental HPL decorative panel

**multifunctional slot**

**Axial fans can be added to enhance heat dissipation performance**

Strengthen the heat dissipation capacity of the device and improve stability, with built-in multi-function slot

Wire trough to avoid confusion of power cords and signals, making the countertop untidy.



**Axial fan**

**Connected base cabinet space**  
**Large installation space for easy maintenance**

The 680mm base cabinet space can accommodate 1-2 small mainframes.

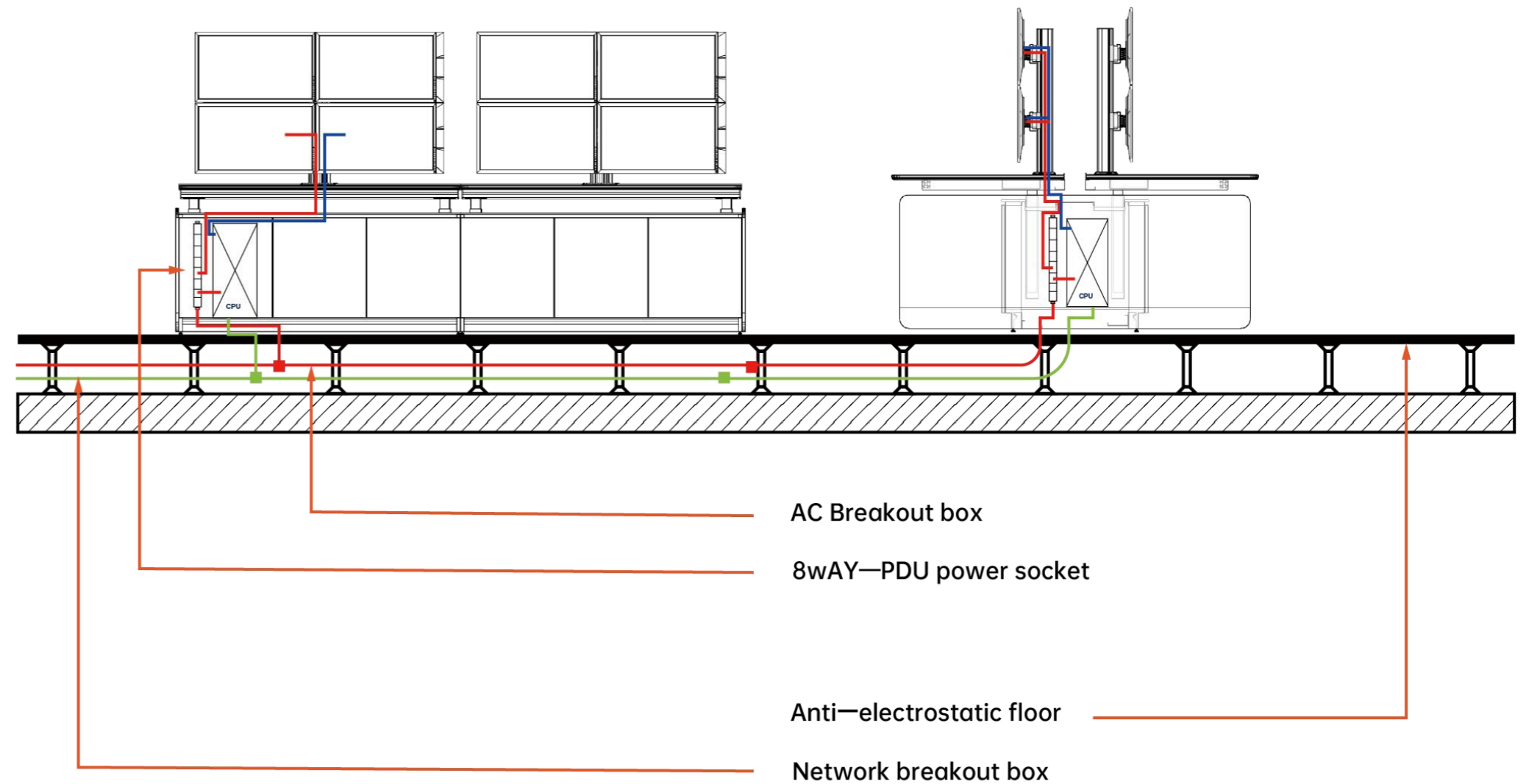




## Professional wiring process

### Short and smooth cable management system

- 1) Professional wiring channels are set up inside the console to adapt to the overall system environment.
- 2) Sufficient internal space allows for standard, neat, smooth, beautiful, reasonable and safe wiring.
- 3) It has the function of separating strong and weak electricity to avoid mutual interference.
- 4) A standard 19-inch equipment rack is optional internally, which facilitates the installation and wiring arrangement of 19-inch standard equipment.

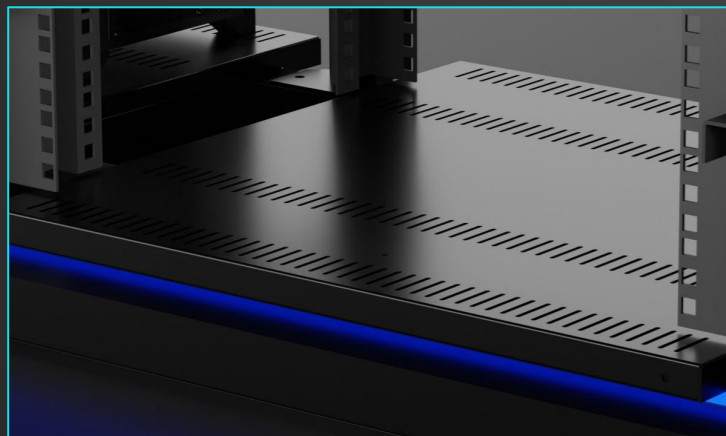




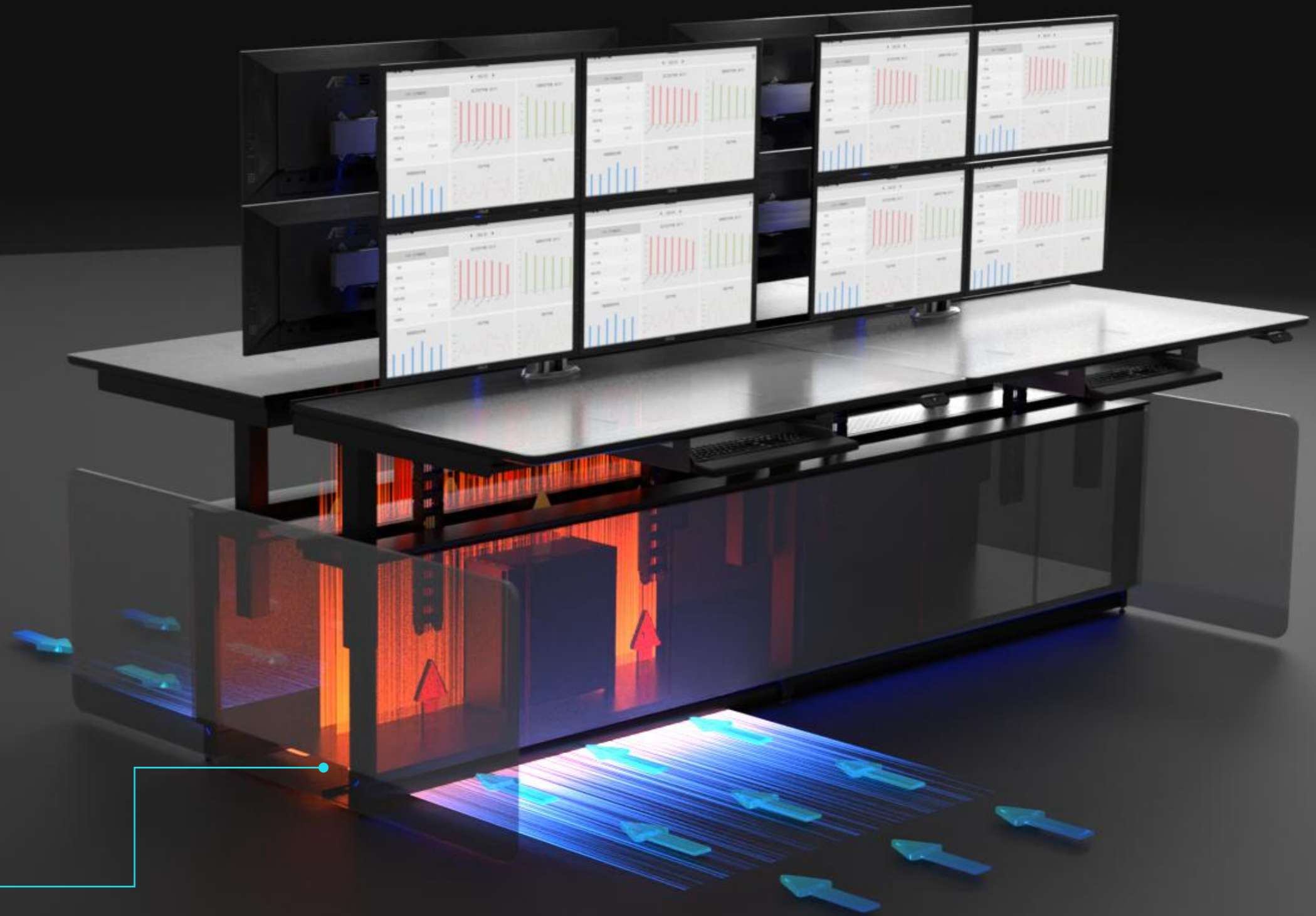
## cooling system

### Natural air cooling system to improve efficiency

The console forms a heat exchange between the inside of the console and the outside air through the bottom air inlet and the top exhaust hole. The heat of the equipment inside the frame is discharged to the ambient medium, reducing the temperature of the equipment, and ultimately achieving the same heat dissipation purpose as the ambient temperature.



bottom air inlet





Materials:

## structural member :

The structural parts of the table body are made of high-quality cold-rolled galvanized steel sheets with a thickness of 2.0mm. They adopt environmentally friendly spraying technology and have good anti-yellowing performance and surface smoothness.

---

## main frame :

The main frame and screen are made of 6063-T5 aluminum alloy profiles and use special connectors with high connection strength, strong resistance to deformation, corrosion resistance, acid and alkali resistance, never rust, and a lifespan of 20 years without deformation.

---

## OSB :

OSB board is a directional structural board processed from small-diameter lumber, thinning wood, wood core and other raw materials. It has the following characteristics:

1. Good stability: The material is uniform and will not expand or contract significantly when exposed to heat or cold, so the stability is relatively strong.
2. Long service life: not easy to deform, crack, etc., and has a long service life.
3. Green and environmentally friendly: European pine board is very environmentally friendly, has almost zero formaldehyde, is harmless to the human body, and improves the safety of life.
4. Strong waterproof and moisture-proof ability: it will not cause deformation, cracking, etc. due to water or moisture.



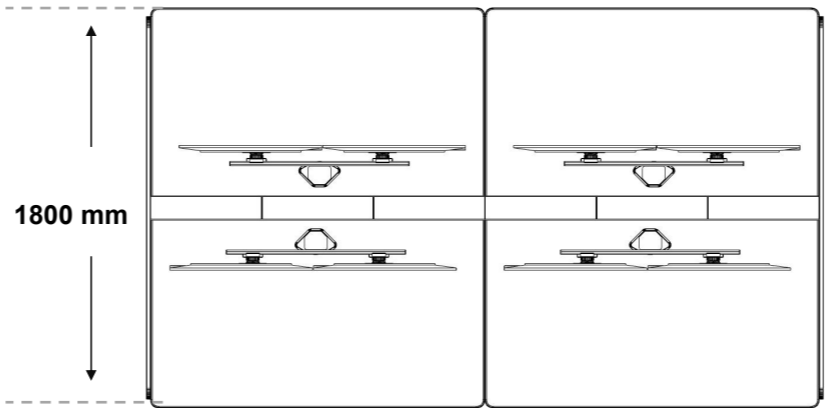
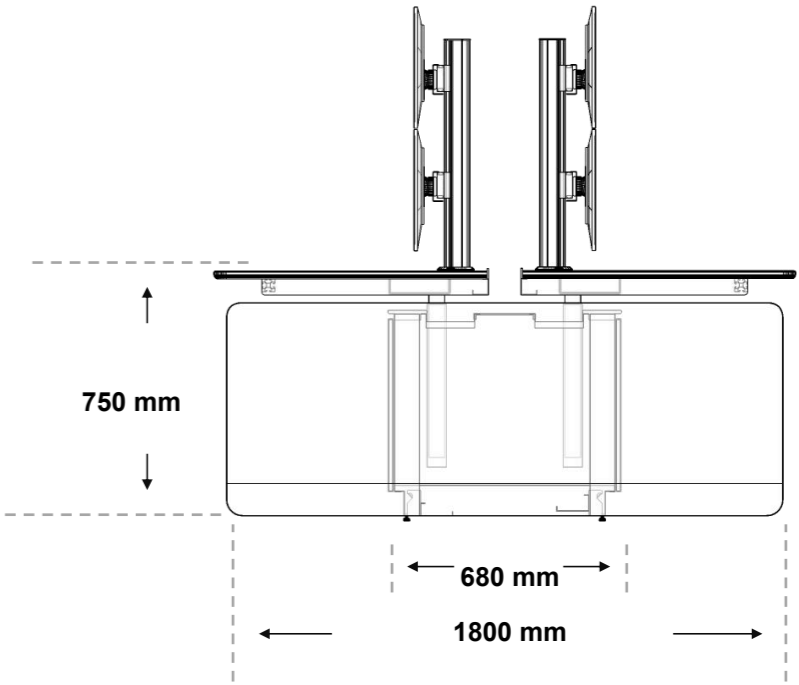
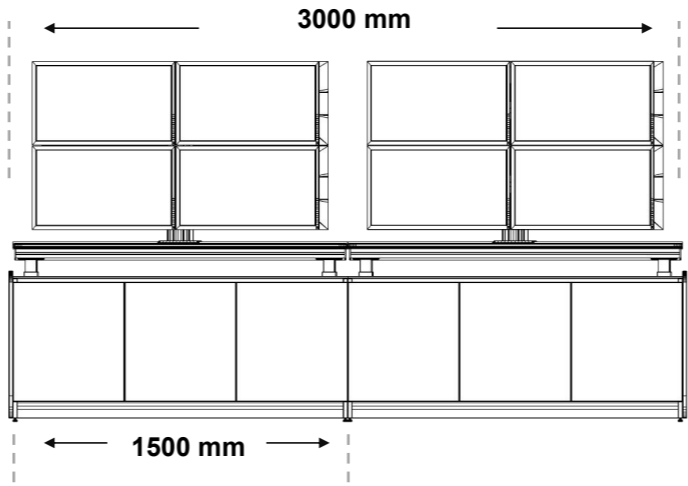
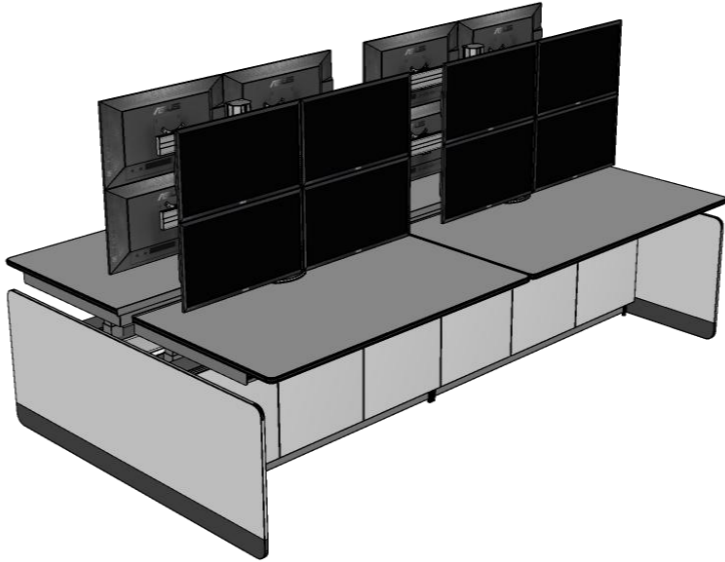
# Product design

To provide you with the standard size of the console

## KCE-23-D Dimension

- **Materials**

- The host frame adopts 6063-T5
- Aluminum alloy profiles
- E0 Environmental HPL decorative panel
- Polyurethane edge sealing
- Acrylic light guide plate
- Cold rolled galvanized steel plate



W	D	Model	UP
1500	680	Linear	1 unit



Address: Lishuiqiao North Road, Changping District, Beijing (Beijing Branch)  
Funiu Road, Industrial Cluster Area, Tanghe County, Nanyang City, Henan Province (Factory)  
No. 329, Yushan West Road, Panyu District, Guangzhou City, Guangdong Province (Guangzhou Branch)

Service hotline: 4008313600  
Phone: 86-010-57204933  
Email: [bjkesino@126.com](mailto:bjkesino@126.com)  
Website: [www.bjkesino.com](http://www.bjkesino.com)

