



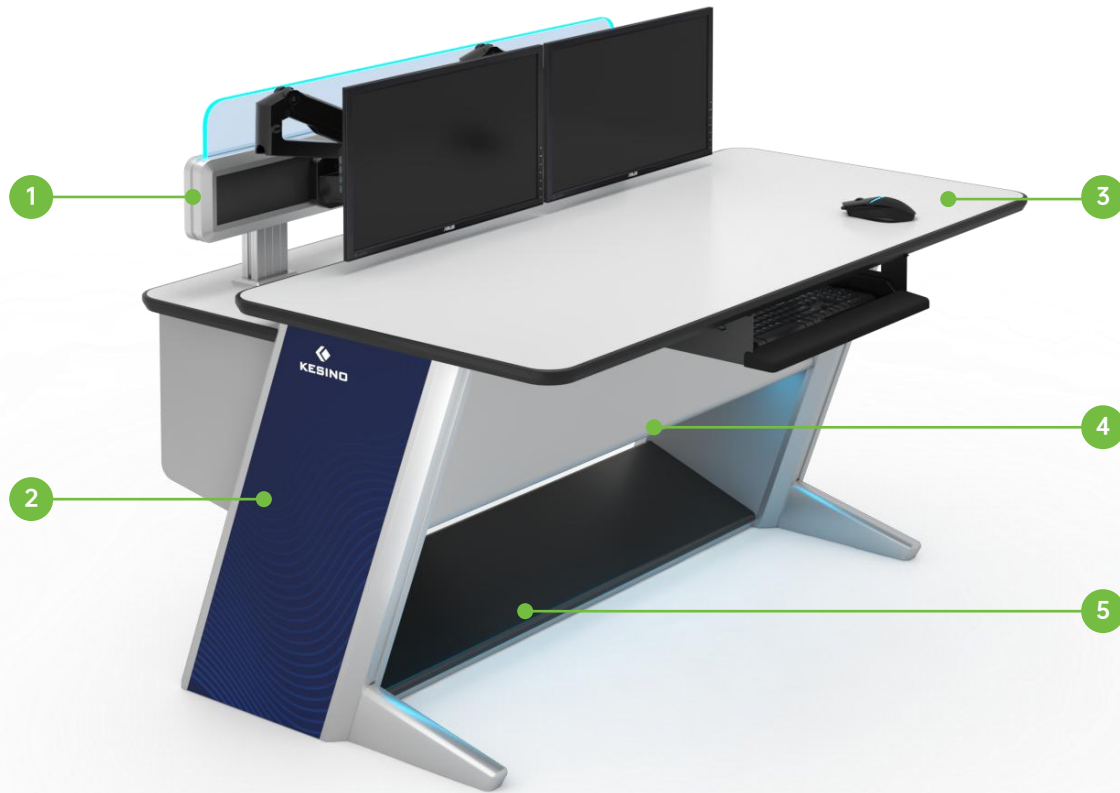
◀ KESINO CONSOLE

KCG

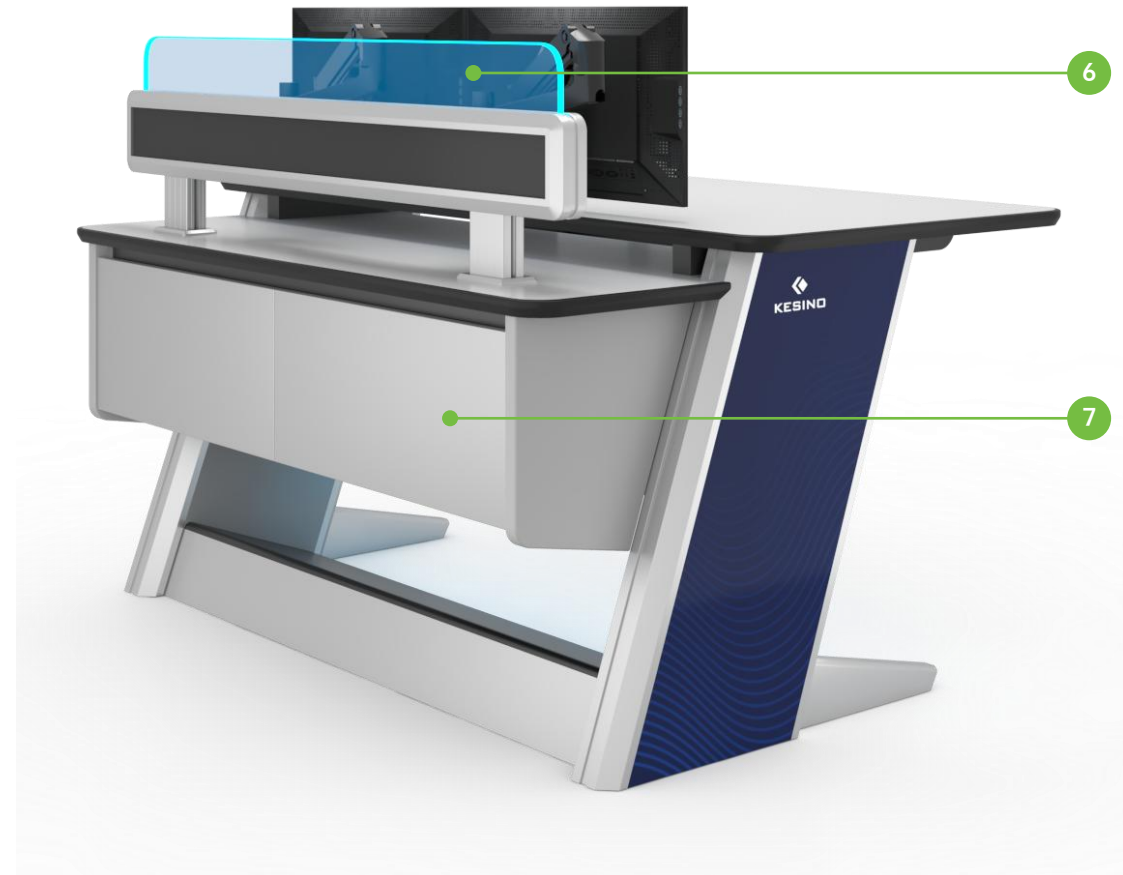
CONTROL ROOM CONSOLE PROVIDER
Meet the unique requirements of all-weather command centers and mission-critical operations

Practical and convenient: more user-friendly product design, simpler use Integration of the overall convenient functions into one, suitable for use in various fields, dedicated to public security, smart city, airport, transportation, More than 180 industrial fields such as petrochemical industry, electric power, finance, radio and television, communication, government and new energy.

Front View



Rear View



FEATURES & OPTIONS OF THE SIMPLICITY

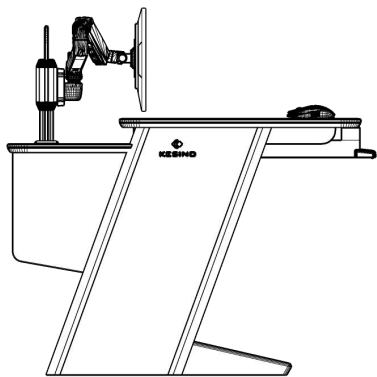
- 1 Aluminum slat wall
- 2 Side panels can be custom Logo
- 3 OSB Worksurface

- 4 Led light to Ground
- 5 Foot care

- 6 Luminous acrylic
- 7 Convenient drawer type cabinet body

Exclusive custom brand image pattern

Colorful lines, scientific ice blue lighting, vivid atmosphere
DC LED strips provide ambient lighting, multi-color adjustable





Ambient lighting system Colorful lines, vivid atmosphere

Colorful lines, scientific ice blue lighting, vivid atmosphere
DC LED strip, providing ambient lighting, multi-color adjustable

leg ambience
lighting



Visual ergonomics Efficient and comfortable office

Application of ergonomics, according to the scope of movement and activity of staff, physiological structure of human body, psychological situation, thinking mode, etc., on the basis of the original design of the console basic functions and performance, equipment and functions are optimized, so that workers are very convenient and comfortable in both visit and use.

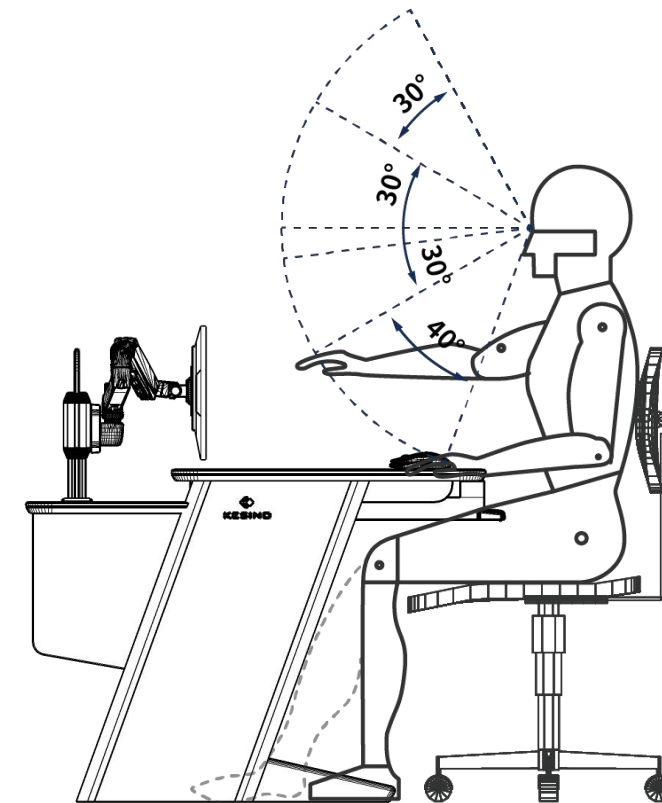


Follow the world recognized standards, fully consider the sight distance, perspective, equipment and other factors, to achieve the perfect unity of engineering, medicine, design, with better comfort.

Considering the rationality of the distance between the operator's upper and lower, left and right sight lines.

Operating distance, designed according to reasonable comfort distance.

Help customers analyze the best viewing distance for large screens and reasonable arrangement of consoles to ensure that staff can see the full screen.



Console provides ideal workspace for users (FYI only)

OSB Worksurface polyurethane edge sealing

OSB board with surface top and backing of level high pressure laminate. wear-resistant, anti-scratching high temperature, easy to clean, acid and alkali resistance and other advantages of the line plate, with excellent moisture resistance and deformation resistance



GREENGUARD

PRODUCT CERTIFIED FOR
LOW CHEMICAL EMISSIONS
UL.COM/GGG
UL 2818

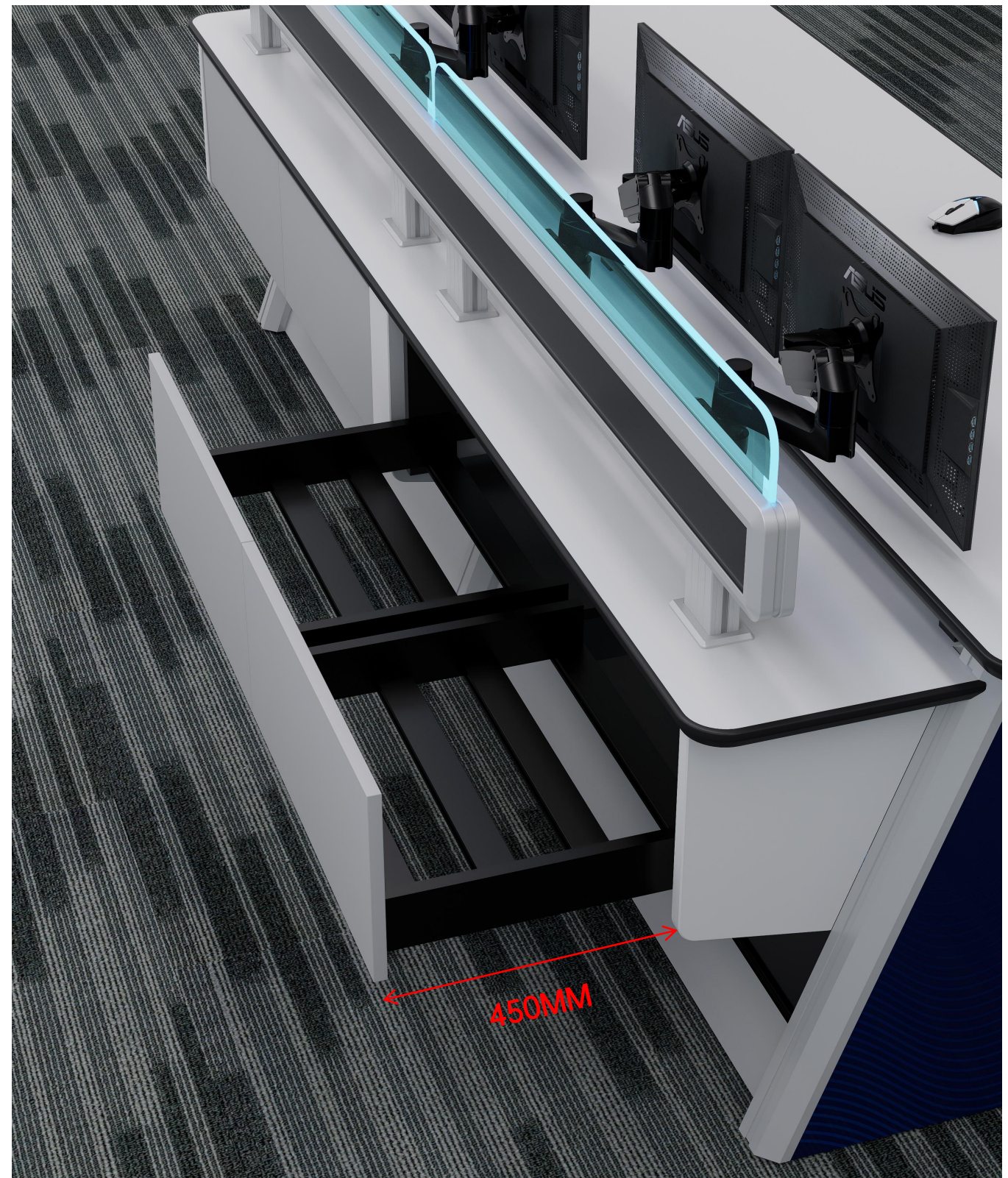
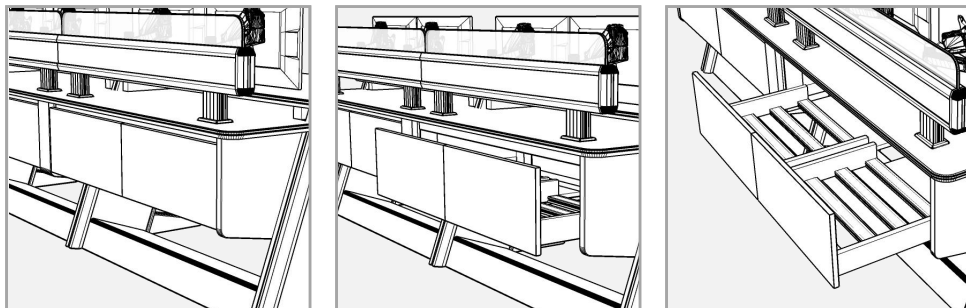
GOLD

Bottom cabinet space Large size installation space, easy maintenance

The bottom cabinet of the mainframe is composed of aluminum profile and steel plate, which can accommodate 1 standard small mainframe.

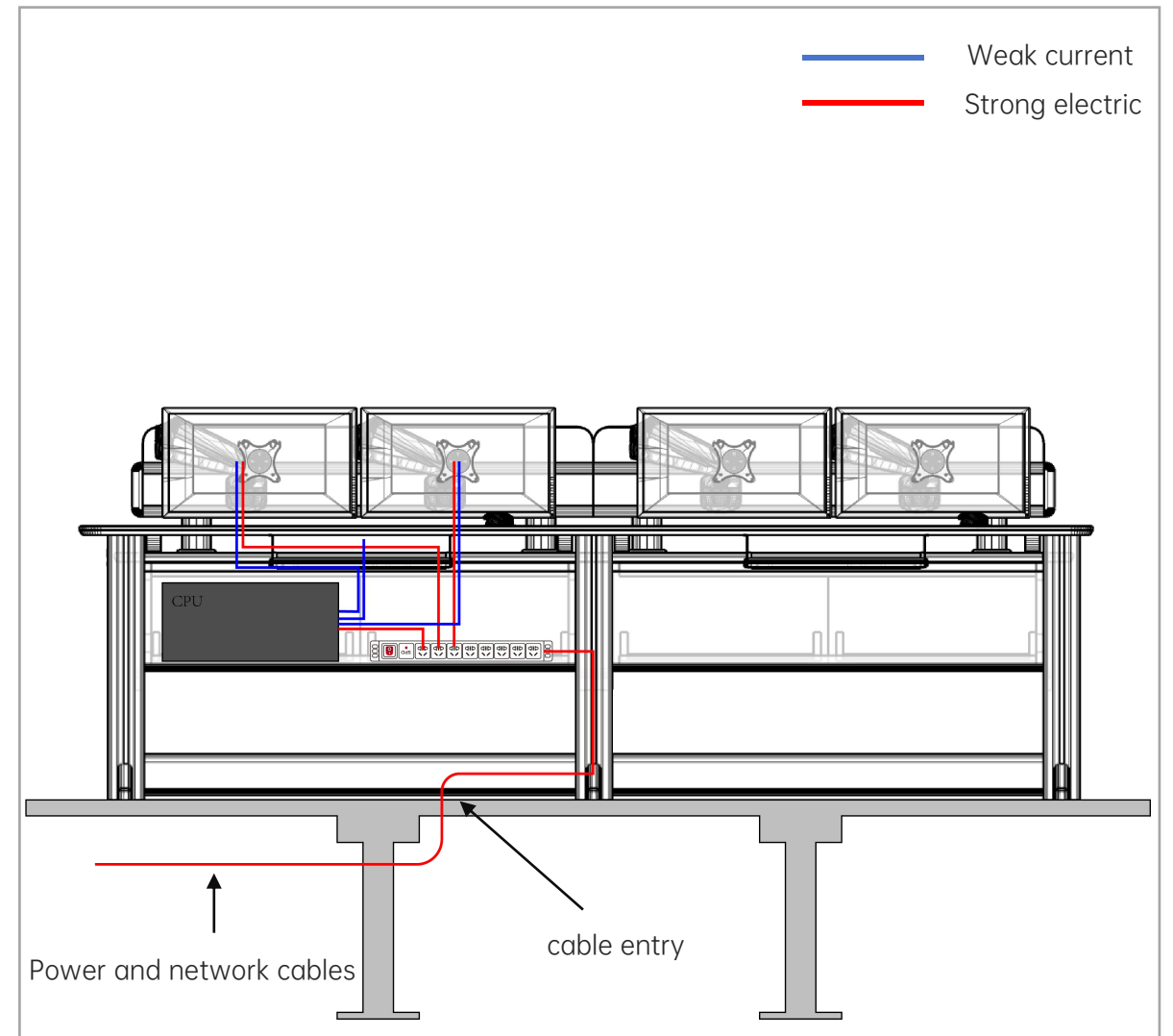
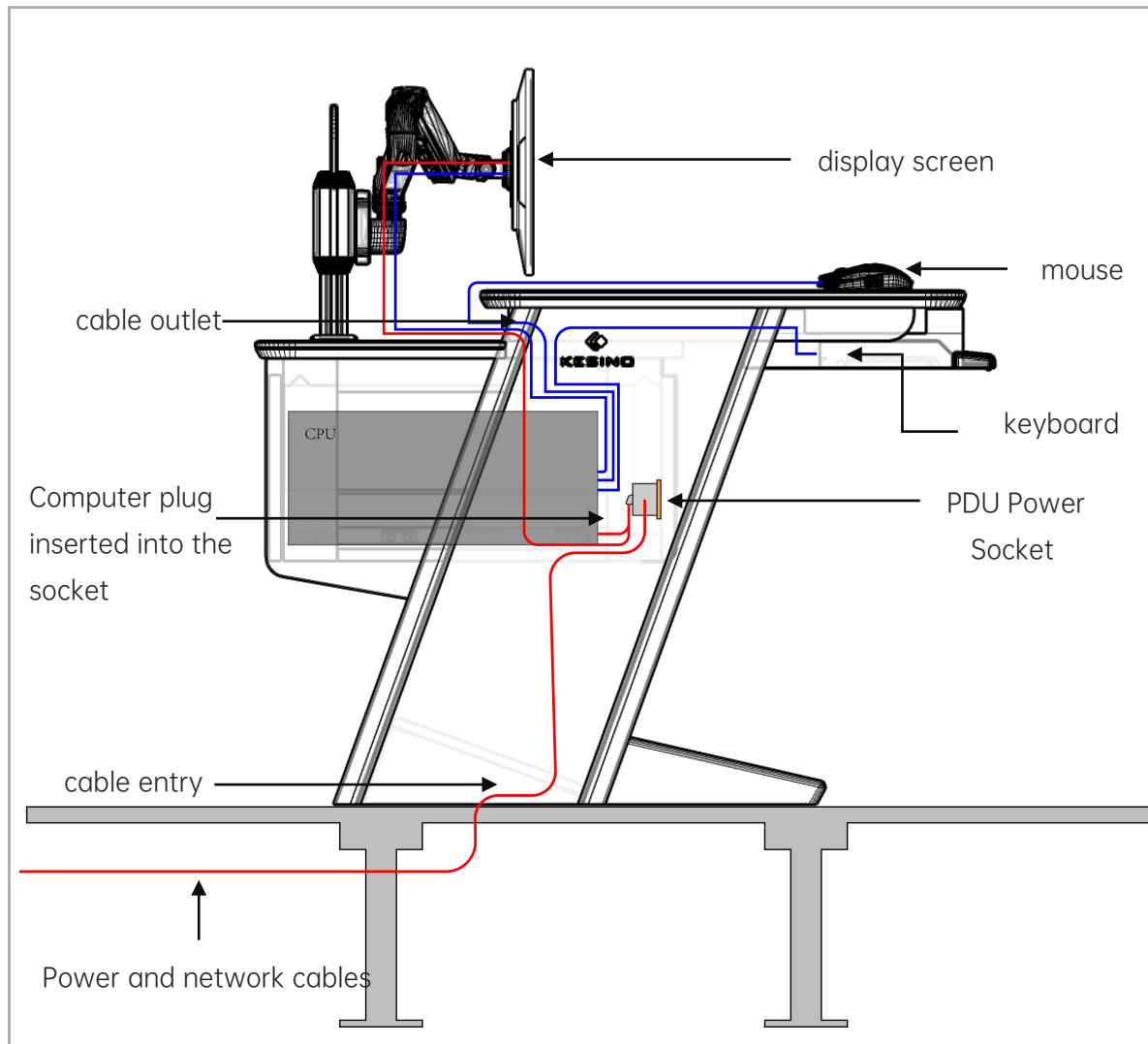
Bottom cabinet size: L 450x W 550x H 215mm

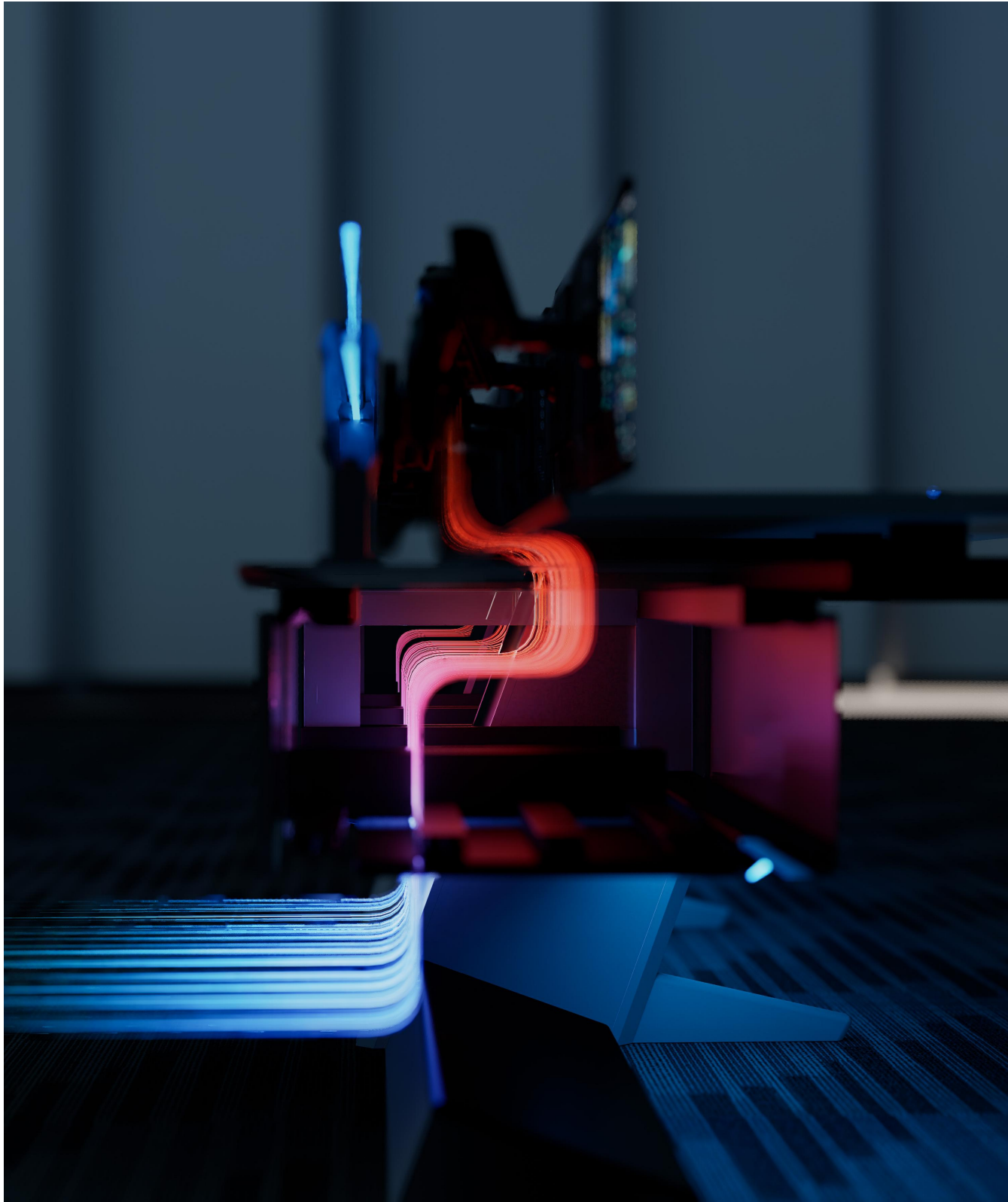
Convenient drawer type cabinet body



Professional cabling process Short and smooth cable management system

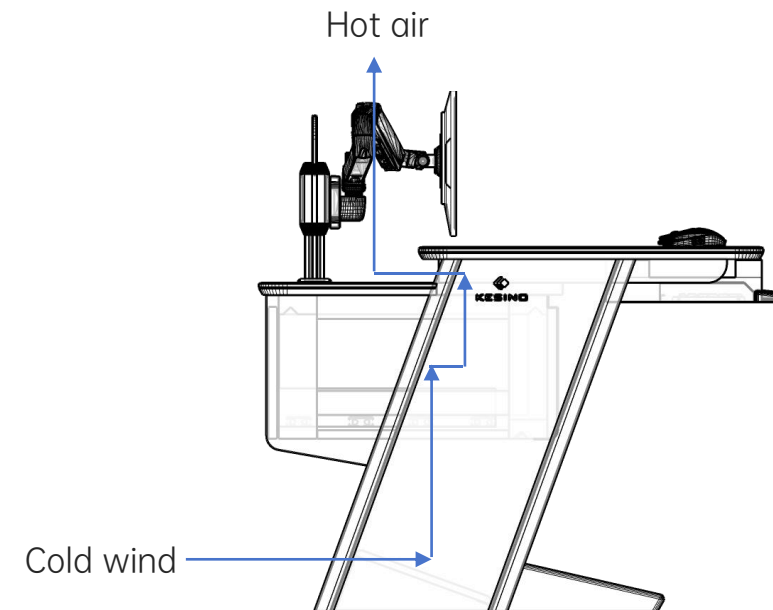
- 1) Professional routing channels are set inside the console to adapt to the overall system environment.
- 2) Sufficient internal space, can make the wiring standard neat, smooth and beautiful, reasonable and safe
- 3) Strong and weak current separation function to avoid mutual interference





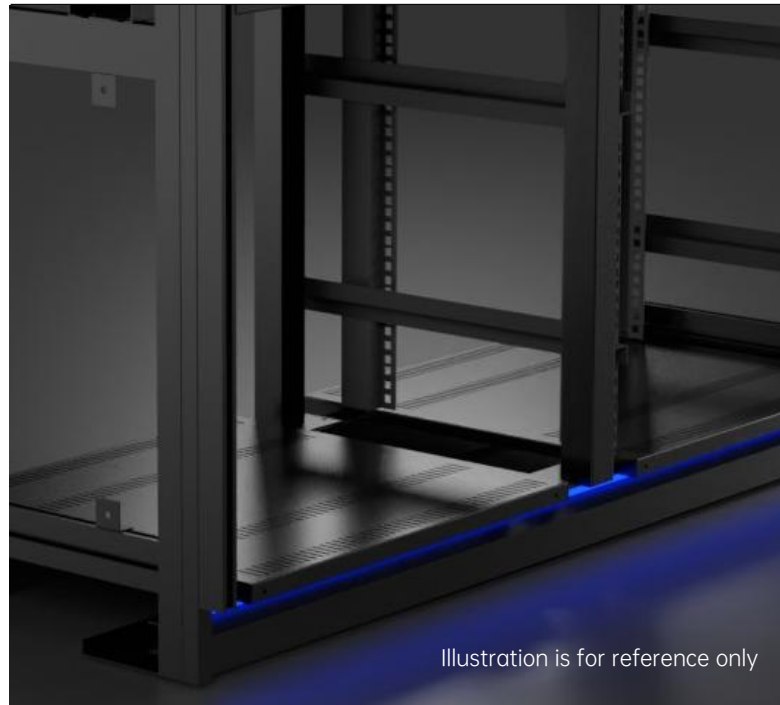
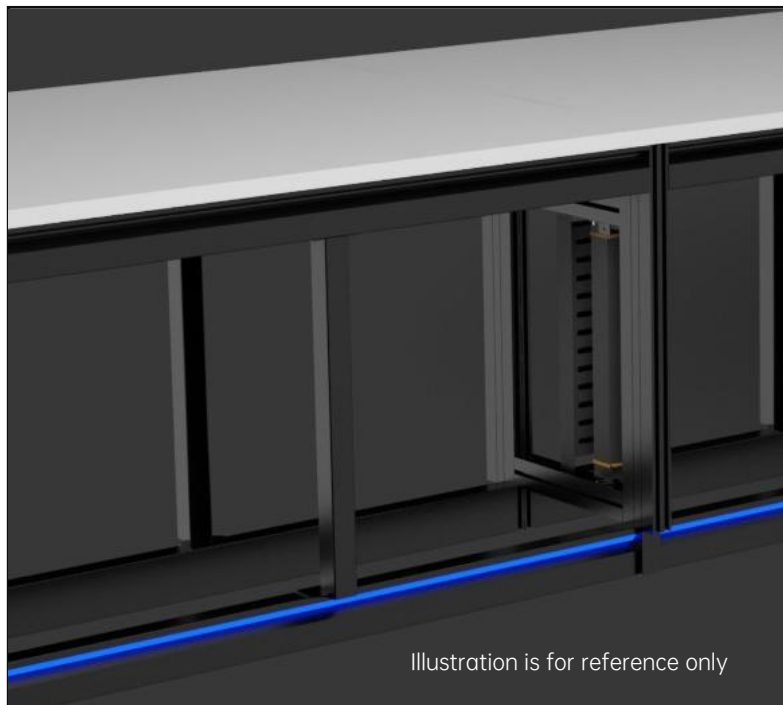
Heat dissipation system Natural air-cooled cooling system improves efficiency

The console forms heat exchange between the interior of the console and the outside air through the bottom air inlet hole and the top air outlet hole, and the heat of the equipment in the frame is discharged to the ambient medium to reduce the temperature of the equipment, and finally the heat dissipation purpose of the same temperature as the ambient temperature is achieved.



Schematic diagram of airflow direction of console cooling system (for reference only)

Material Description



Main Frame:

The main frame and the screen are made of 6063-T5 aluminum alloy profiles and special connectors, which have high connection strength, strong deformation resistance, corrosion resistance, acid and alkali resistance, and never rust. The service life can meet the requirement of 20 years without deformation.

Structural Member :

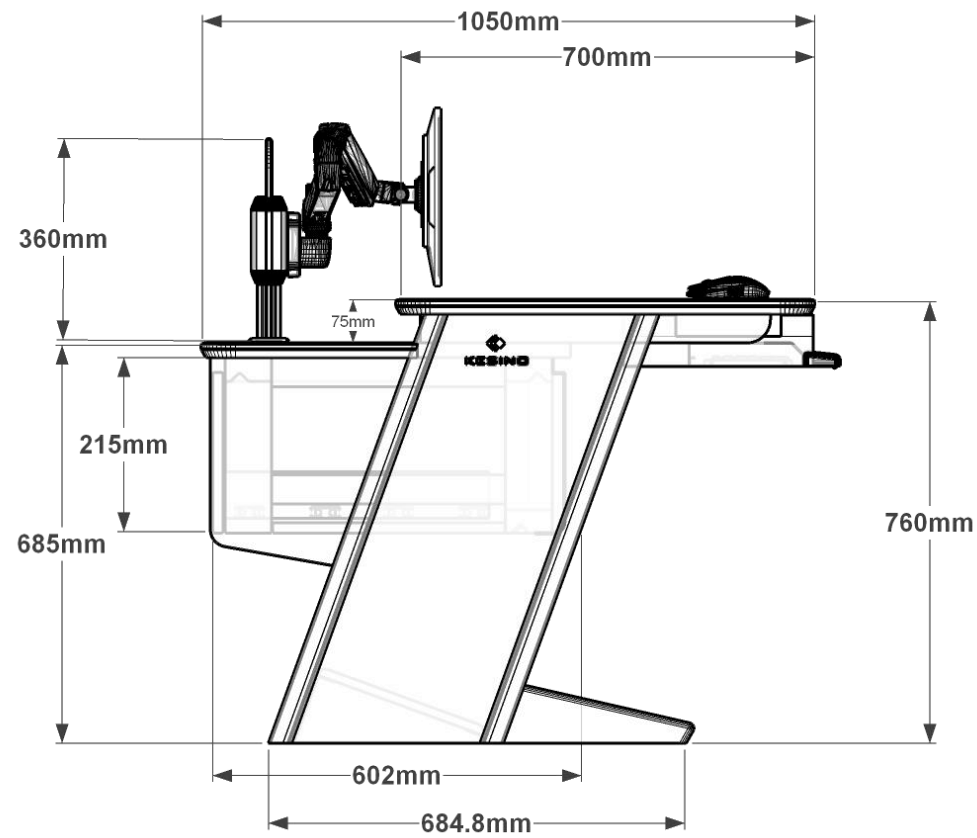
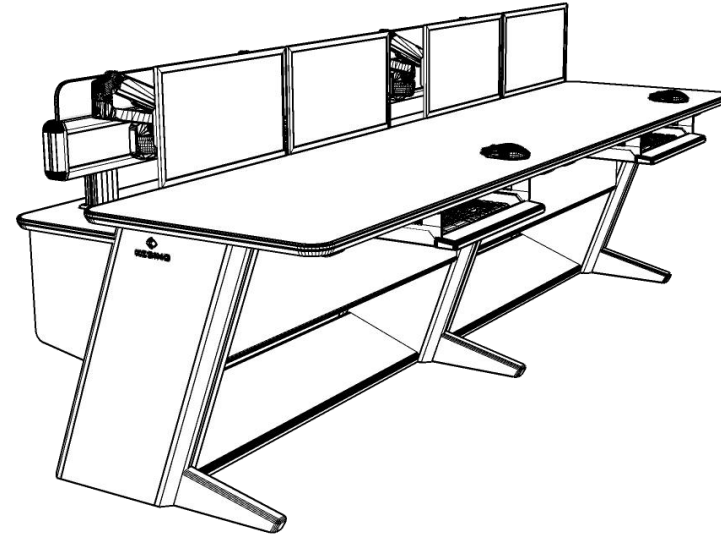
The structural parts of the platform body are made of high-quality cold-rolled galvanized steel sheet with a thickness of 2.0mm. The environment-friendly spraying process is adopted, and the platform body has good anti-yellowing performance and surface flatness

OSB Worksurface :

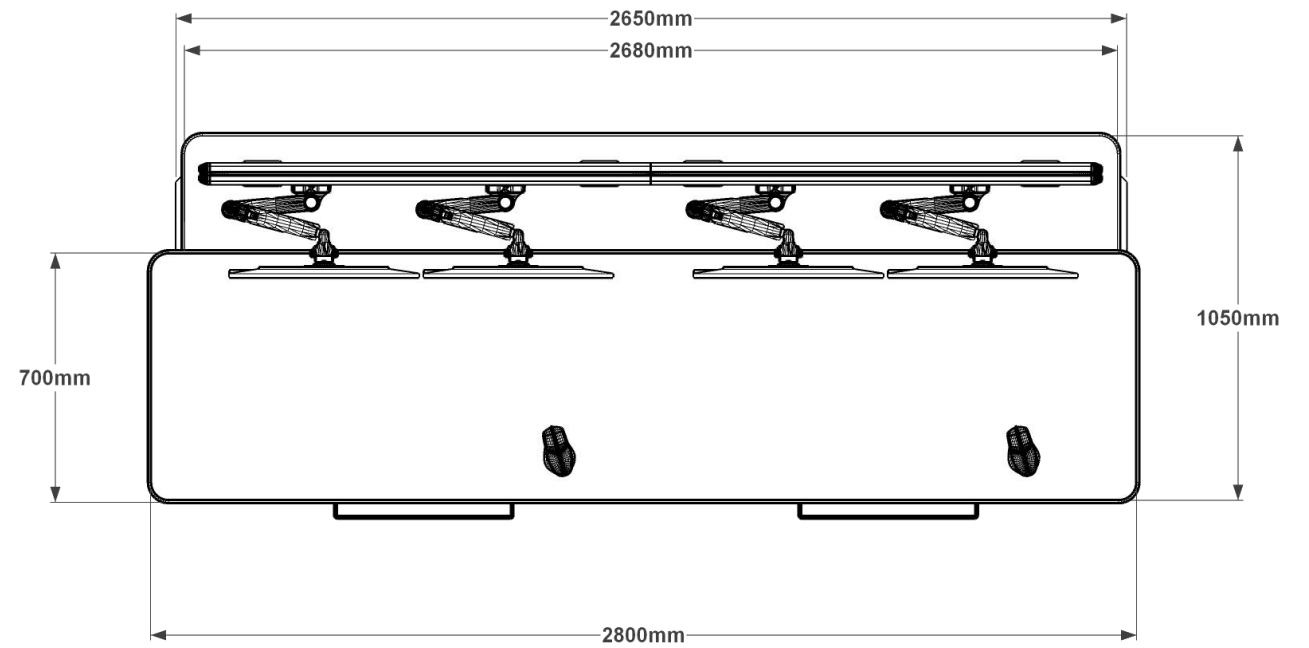
Osung board is a directional structural board processed from small diameter wood, thinning wood, wood core and other raw materials, with the following characteristics:

1. Good stability: uniform material, heat and cold will not appear obvious expansion and contraction, so the stability is relatively strong.
2. Long service life: not easy to deform, crack, etc., long service life.
3. Green environmental protection: Osung board is very environmentally friendly, almost zero formaldehyde, harmless to the human body, improve the safety of life.
4. Strong waterproof and moisture-proof ability: it will not cause deformation and cracking due to soaking water or moisture.

Console Size



Side View



Top View



Address: Lishuiqiao North Road, Changping District, Beijing (Beijing Branch)
Funiu Road, Industrial Cluster Area, Tanghe County, Nanyang City, Henan Province (Factory)
No. 329, Yushan West Road, Panyu District, Guangzhou City, Guangdong Province (Guangzhou Branch)

Service hotline: 4008313600
Phone: 86-010-57204933
Email: bjkesino@126.com
Website: www.bjkesino.com

