



**KTRON** CONSOLE DESK

**KTC**

**CONTROL ROOM CONSOLE PROVIDER**  
Meet the unique requirements of all-weather command centers and mission-critical operations

Practical and convenient: more user-friendly product design, simpler use Integration of the overall convenient functions into one, suitable for use in various fields, dedicated to public security, smart city, airport, transportation, More than 180 industrial fields such as petrochemical industry, electric power, finance, radio and television, communication, government and new energy.

## Display drawing



## FEATURES & OPTIONS OF THE SIMPLICITY

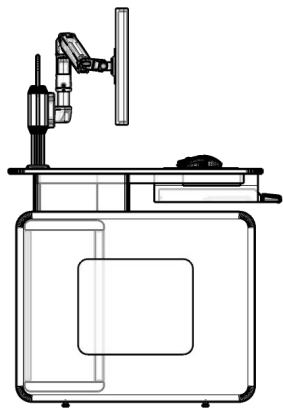
- ① Equipped with aluminum slat wall + luminous acrylic sheet.
- ② High strength 6063-T5 aluminum profile frame system.
- ③ E0 grade eco-friendly HPL veneer.
- ④ Film custom LOGO pattern
- ⑤ Ambient lighting system for the floor.
- ⑥ Display stand
- ⑦ Modular quick-release design
- ⑧ Professional large-capacity strong and weak cable management.



## Exclusive custom brand image pattern

Colorful lines, scientific ice blue lighting, vivid atmosphere

DC LED strips provide ambient lighting, multi-color adjustable





**Modular quick-pack design**  
**Free layout, flexible change**

The table can be flexibly changed according to the area of the scene.





**Ambient lighting system**  
**Colorful lines, vivid atmosphere**

Colorful lines, scientific ice blue lighting, vivid atmosphere  
DC LED strip, providing ambient lighting, multi-color adjustable



## Visual ergonomics Efficient and comfortable office

Application of ergonomics, according to the scope of movement and activity of staff, physiological structure of human body, psychological situation, thinking mode, etc., on the basis of the original design of the console basic functions and performance, equipment and functions are optimized, so that workers are very convenient and comfortable in both visit and use.



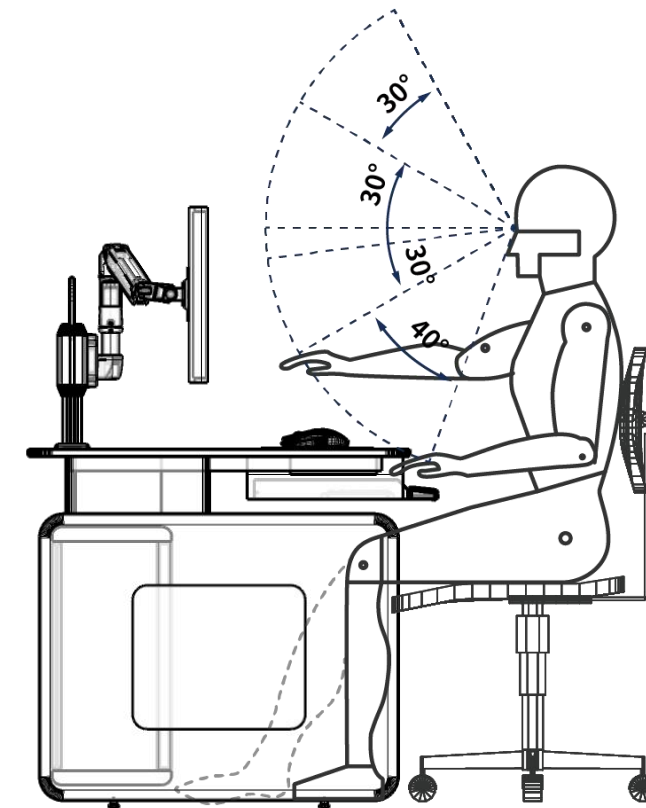


Follow the world recognized standards, fully consider the sight distance, perspective, equipment and other factors, to achieve the perfect unity of engineering, medicine, design, with better comfort.

Considering the rationality of the distance between the operator's upper and lower, left and right sight lines.

Operating distance, designed according to reasonable comfort distance.

Help customers analyze the best viewing distance for large screens and reasonable arrangement of consoles to ensure that staff can see the full screen.



控制台为用户提供理想的工作空间(仅供参考)



## E0 Environmental HPL decorative panel

E0 environmental protection HPL decorative panel professional processing, with wear-resistant, anti-scratching high temperature, easy to clean, acid and alkali resistance and other advantages of the fine plate, with excellent moisture resistance and deformation resistance





## Aluminum slat wall + luminous acrylic plate Hidden wiring, get rid of wiring trouble

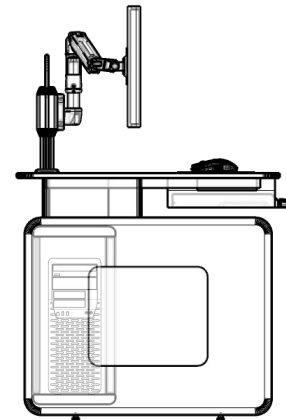
High quality aluminum material, beautiful and atmospheric surface treatment,  
Mainly used in console, finance, monitoring and other systems.





## Cabinet space Large size installation space, easy maintenance

Main engine bottom cabinet composed of aluminum profiles and steel plates,  
Can accommodate multiple standard small mainframe.  
Bottom cabinet size: L 450x W 550x H 215mm



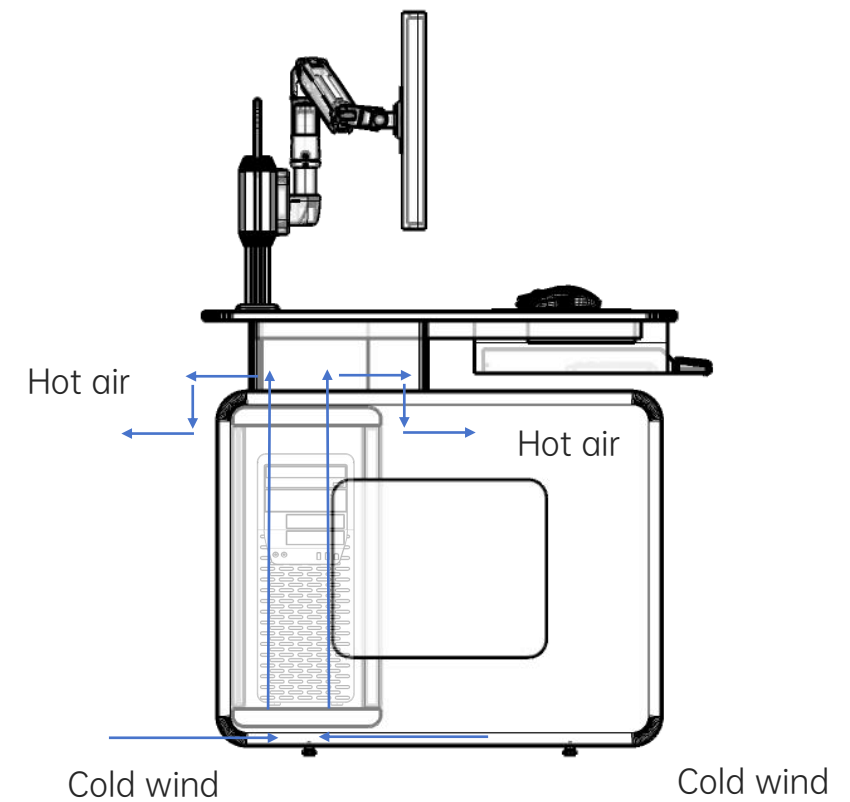
Console provides ideal workspace for users (FYI only)





## Heat dissipation system Natural air-cooled cooling system improves efficiency

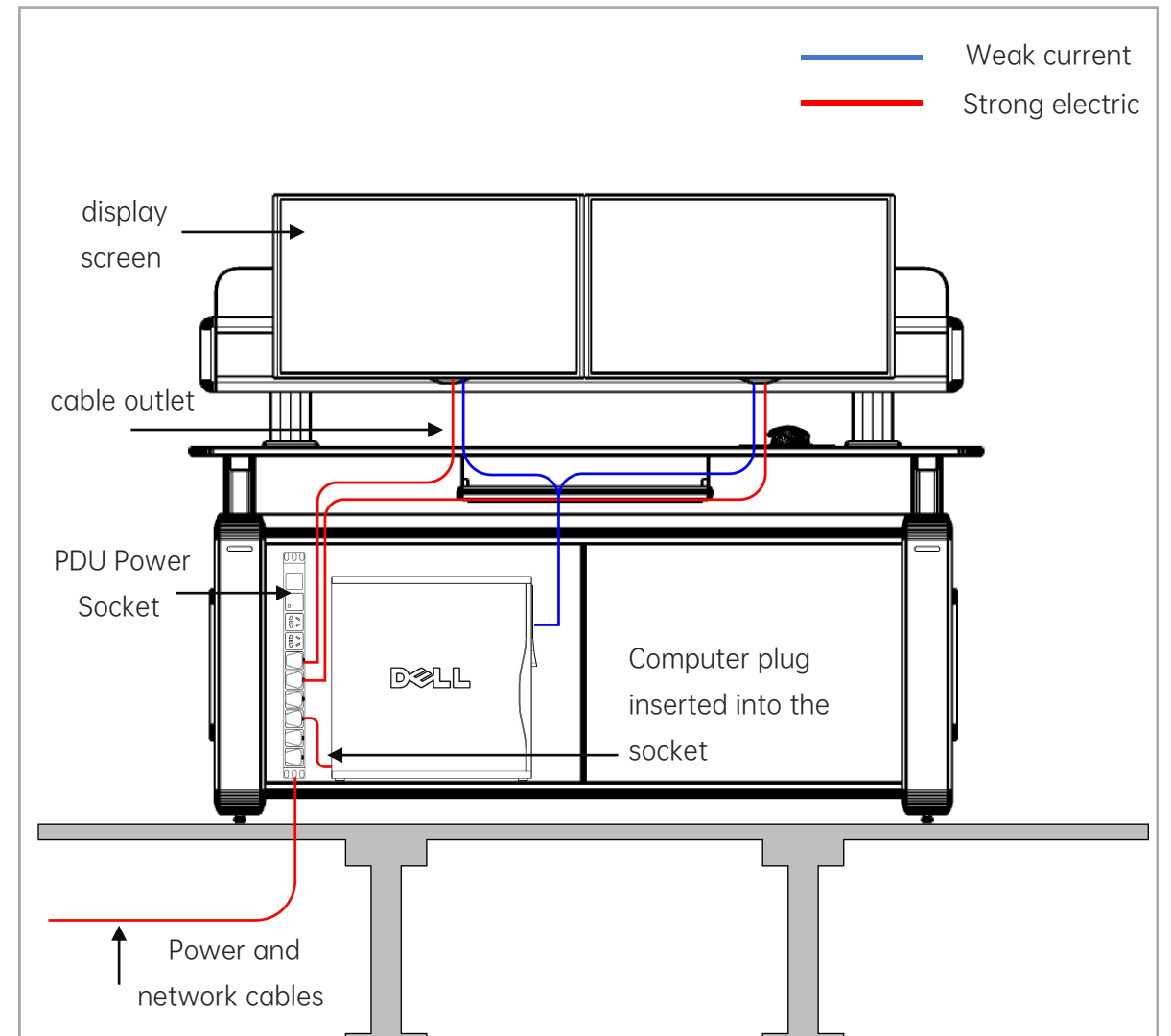
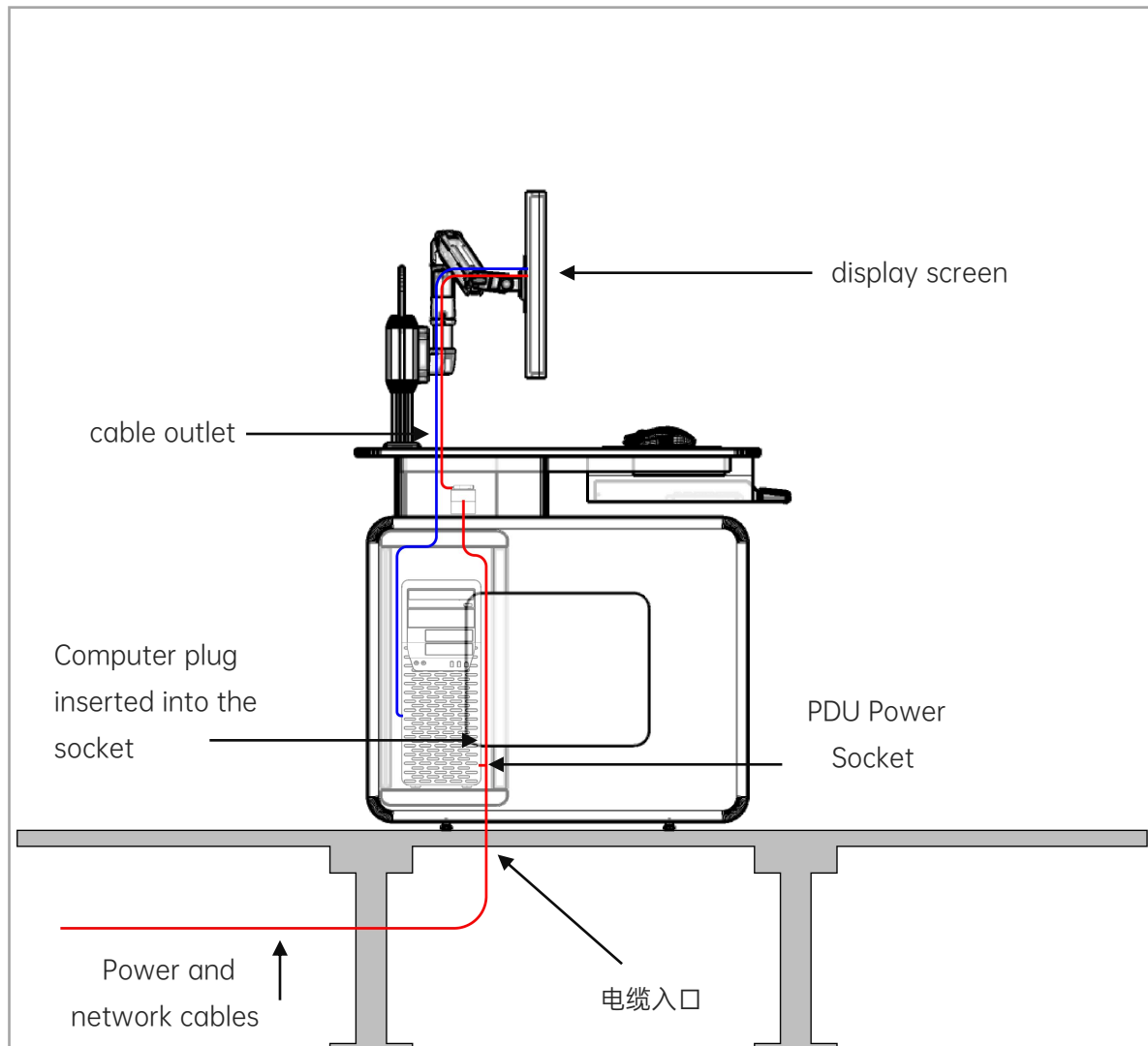
The console forms heat exchange between the interior of the console and the outside air through the bottom air inlet hole and the top air outlet hole, and the heat of the equipment in the frame is discharged to the ambient medium to reduce the temperature of the equipment, and finally the heat dissipation purpose of the same temperature as the ambient temperature is achieved.



Airflow diagram of console cooling system  
(for reference only)

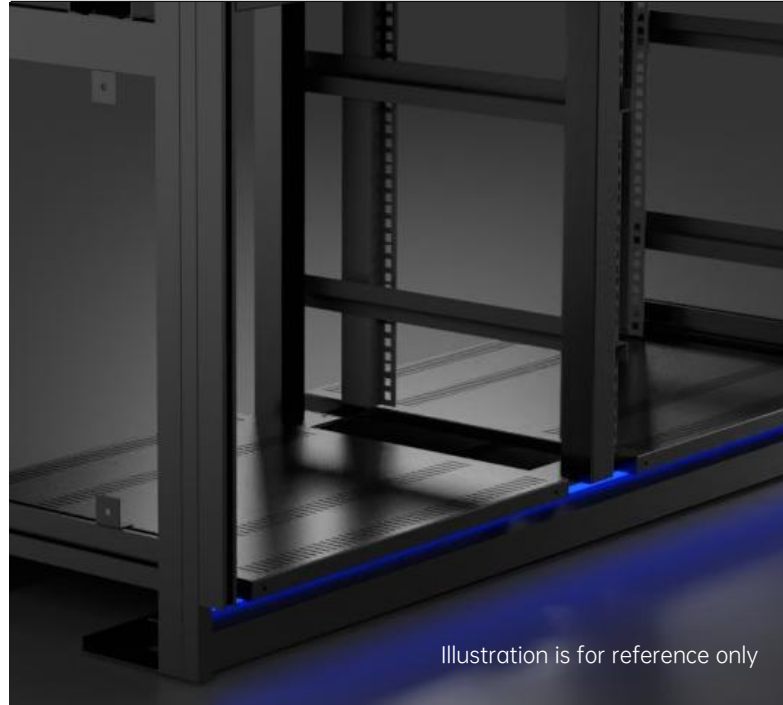
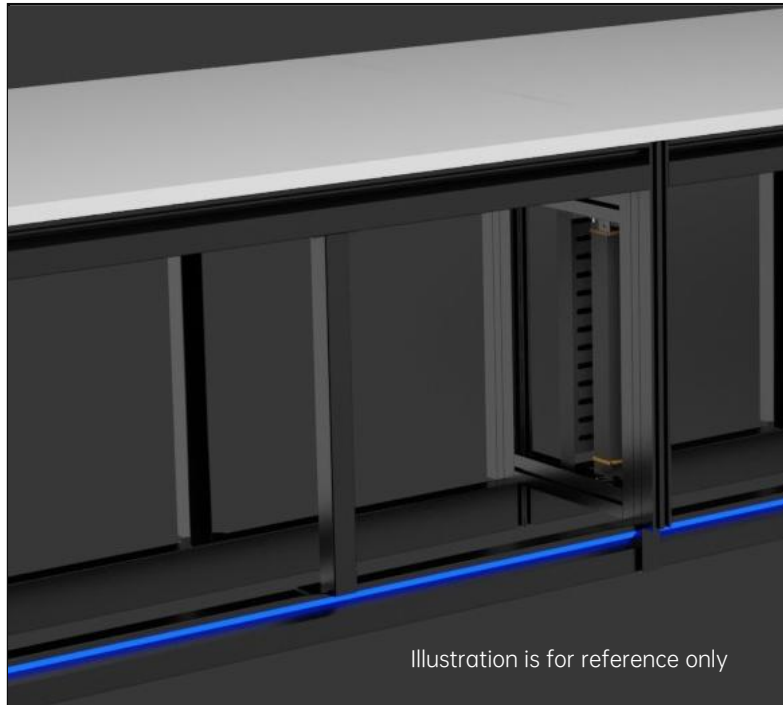
## Professional cabling process Short and smooth cable management system

- 1) Professional routing channels are set inside the console to adapt to the overall system environment.
- 2) Sufficient internal space, can make the wiring standard neat, smooth and beautiful, reasonable and safe
- 3) Strong and weak current separation function to avoid mutual interference





## Material Description



### Main Frame:

The main frame and the screen are made of 6063-T5 aluminum alloy profiles and special connectors, which have high connection strength, strong deformation resistance, corrosion resistance, acid and alkali resistance, and never rust. The service life can meet the requirement of 20 years without deformation.

### Structural Member :

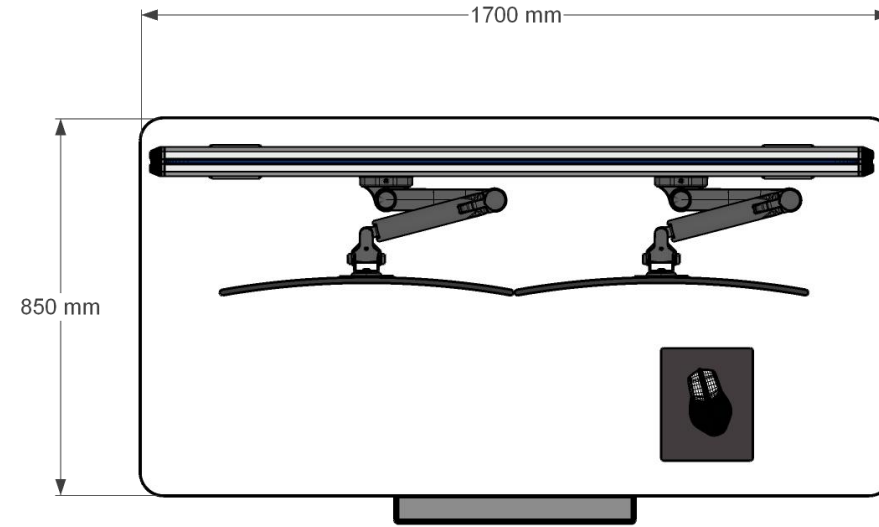
The structural parts of the platform body are made of high-quality cold-rolled galvanized steel sheet with a thickness of 2.0mm. The environment-friendly spraying process is adopted, and the platform body has good anti-yellowing performance and surface flatness

### E0 Environmental HPL decorative panel (HPL) :

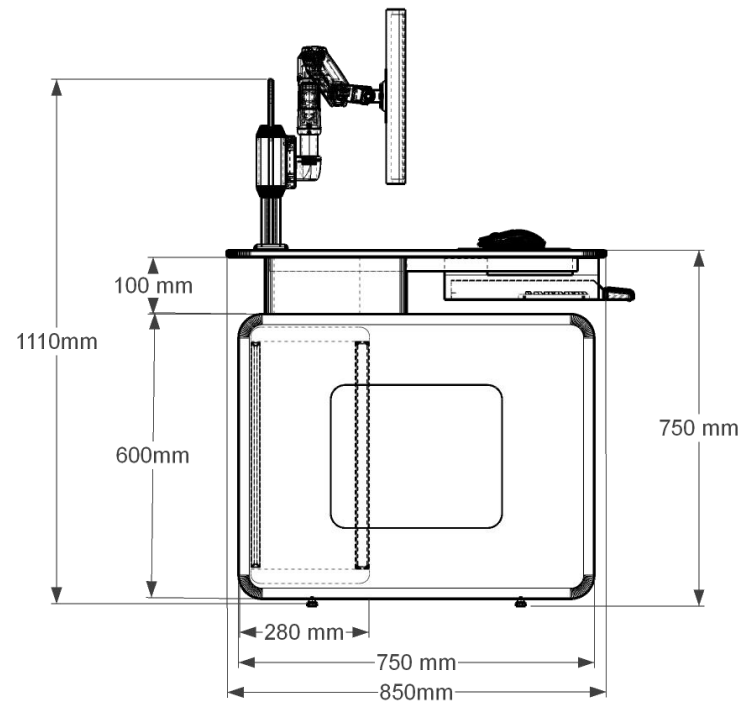
E0 eco-friendly HPL veneer with the following features:

1. Good stability: the material is uniform, and there will be no obvious expansion and contraction in the case of heat and cold, so the stability is relatively strong.
2. Long service life: not easy to deformation, cracking and other conditions, long life.
3. Green environmental protection: The board is very environmentally friendly, almost zero formaldehyde, harmless to the human body, improve the safety of life.
4. Strong waterproof and moisture-proof ability: it will not cause deformation or cracking due to soaking water or humidity.

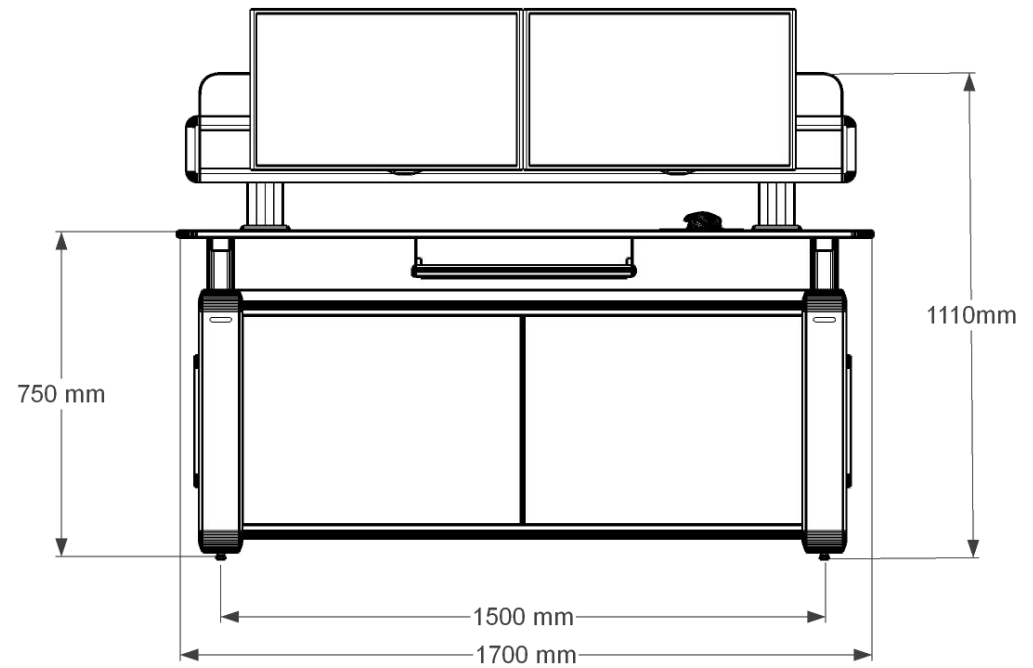
Console Size



Top view



Side view



Front view



**KTRON**

Address: Lishuiqiao North Road, Changping District, Beijing (Beijing Branch)  
Funiu Road, Industrial Cluster Area, Tanghe County, Nanyang City, Henan Province (Factory)  
No. 329, Yushan West Road, Panyu District, Guangzhou City, Guangdong Province (Guangzhou Branch)

Service hotline: 4008313600  
Phone: 86-010-57204933