

A new generation
of KCF series

KCF-22



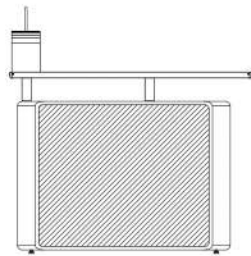
☰ Style recommendation



Model: KCF-22



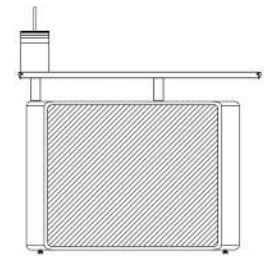
Style
recommendation



Model: KCF-22-H



Style
recommendation



📄 Model recommendation

1



Straight

2



Inner arc

3



Outer arc

4



Corner

5



45° Angle



KCF-22





Classic console

KCF series Function display

It integrates overall convenient functions and is suitable for use in various fields. It is committed to serving more than 180 industry fields such as public security, smart cities, airports, transportation, petrochemicals, power, finance, radio and television, communications, government, and new energy.

1

Lighting atmosphere

Luminous acrylic slat wall

Colorful lines, vivid atmosphere

Icy blue light with a sense of technology

12V acrylic light strip, providing ambient lighting,

01 Acrylic slat wall

02 Brand LOGO light up

03 Ambient Light

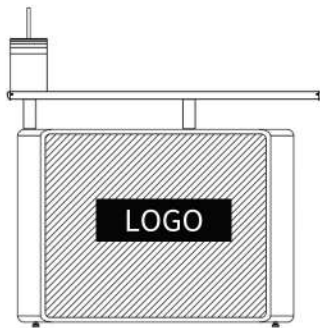




Side panel LOGO

Exclusive custom patterns, highlighting nobleness The effect of brand color customization

The supporting legs on the side are designed with acrylic light transmission, and the patterns can be customized according to the requirements, so that you have an exclusive console seat. At the same time, we also provide a selection of standard patterns with the "KESINO" logo, and the colors can provide RGB three The base color is adjustable to better respond to your office environment.



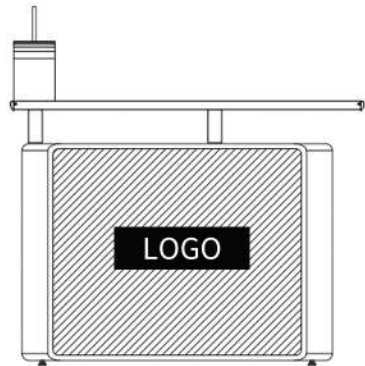


Color LCD panel

Wisdom back wall effect

Brand color matching effect illustration

Products can be colored and configured according to high-end customization needs of customers customization, and the configuration features of high customization of the product.

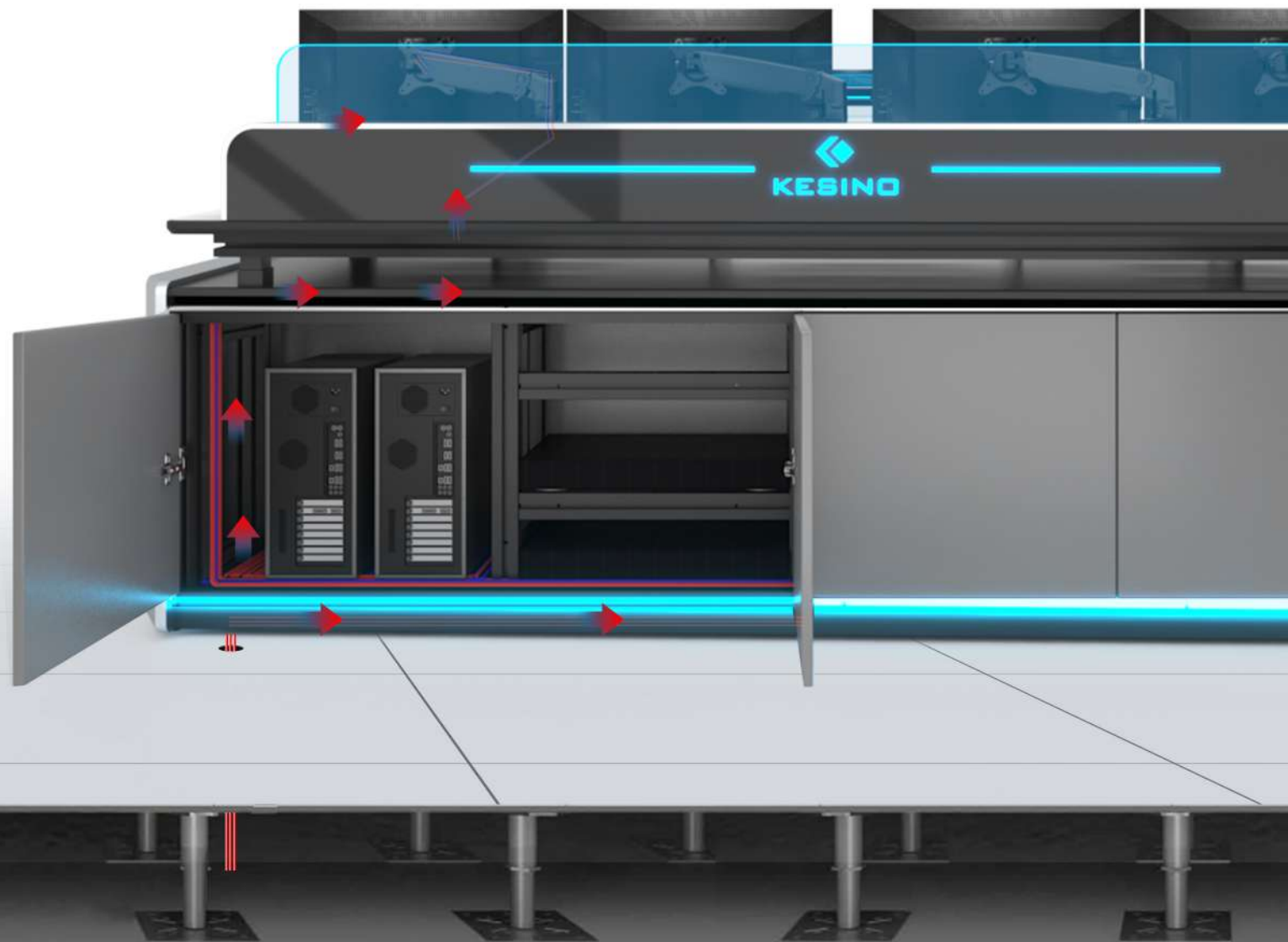


4

Professional wiring process

Short and smooth cable management system

- 1) Professional wiring channels are set inside the console, which are compatible with the overall system environment
- 2) Sufficient internal space can make the wiring standard and tidy, Smooth and beautiful, reasonable and safe
- 3) It has the function of separating strong and weak electricity to avoid mutual interference
- 4) Standard 19-inch equipment rack is optional inside, Convenient for 19-inch standard equipment installation and wiring arrangement

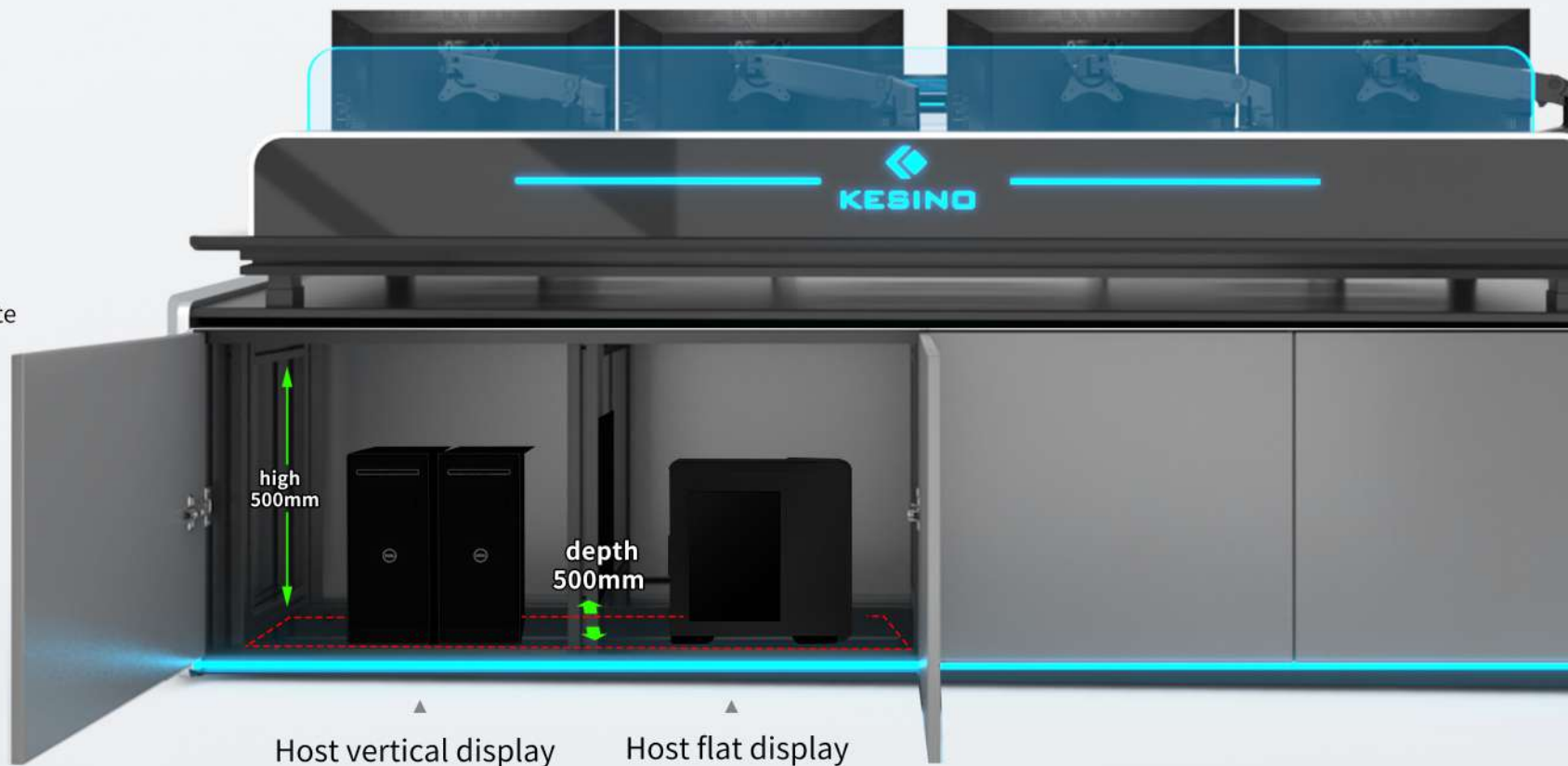
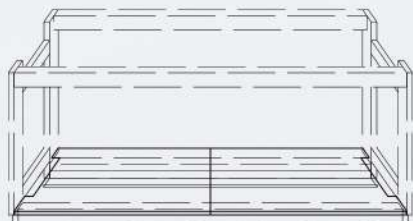




Penetrating base cabinet space

Large installation space
for easy maintenance

The 500mm base cabinet space can accommodate
2-4 small main cabinets.

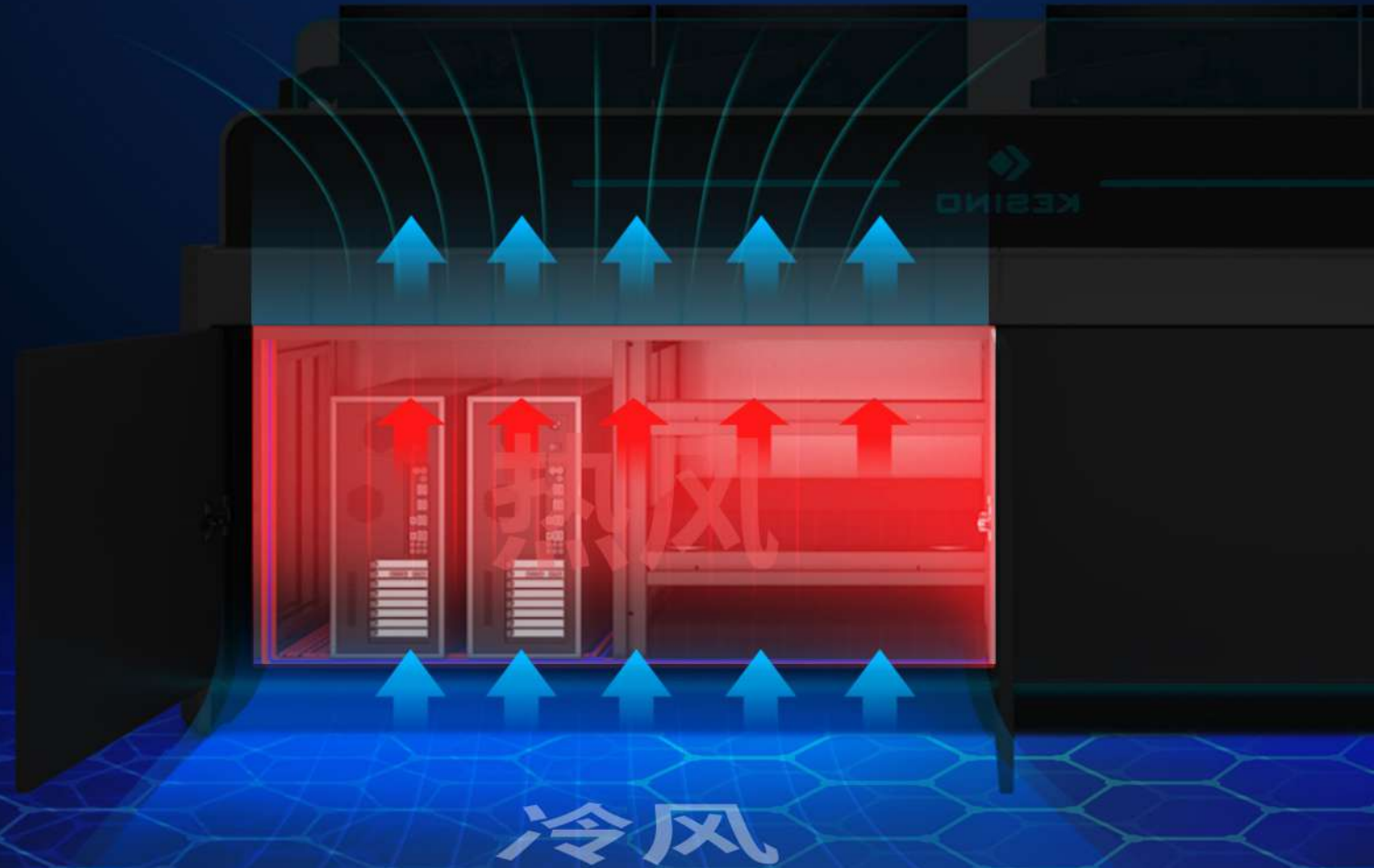


6

Cooling System

Natural air cooling system to improve efficiency

- ☐ The console passes through the bottom air intake hole and the top exhaust hole Form the heat exchange between the inside of the console and the outside air, The heat of the equipment inside the frame is discharged to the environment medium, Reduce the temperature of the equipment, and finally reach the environment Cooling purpose of the same temperature

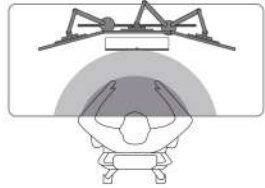
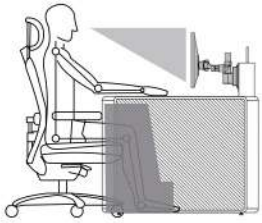


7

Leg anti-collision design

Ergonomic sitting posture

- ▶ 1) Adjustable display stand, front and rear view distance and tilt angle can be adjusted
- ▶ 2) 450mm leg extension space



☰ Material is introduced

Main frame:

Using 6063-T5 aluminum alloy profile, the overall strength is three times higher than that of the traditional console, the load-bearing capacity is increased by two times, corrosion resistance, acid and alkali resistance, never rust, and a life span of 20 years without deformation.

Surface treatment:

After processing and forming, it goes through 8 pre-treatment processes such as pickling and phosphating, and high-temperature drying to ensure sufficient corrosion resistance, scratch resistance, and yellowing resistance to become excellent performance, making the metal surface lasting forever.

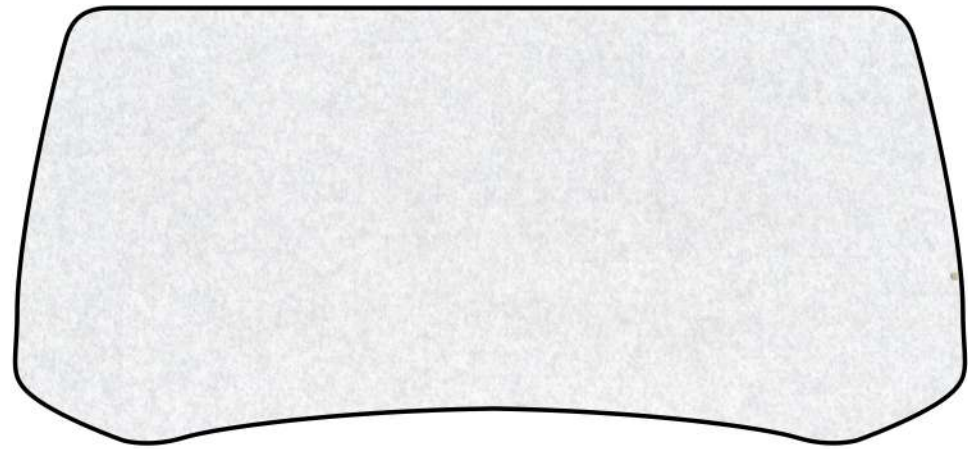
Imported OSB

With high-quality E0 (national standard E1) OSB Ouzong board as the base material, the surface is professionally processed by "melamine (MELAMINE). It has excellent moisture resistance and shrinkage resistance, because the abbreviation (Melamine Faced Board) MFC is widely used in office furniture, mainly with console surfaces, side panels and door panels.

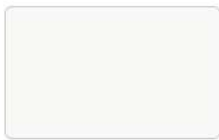


☰ Selection of color

Countertop display ▶



Color display ▶



1630 warm white
(in stock)



4168 Grassland
after snow (in stock)



1202 Iron Grey



3203 light gray

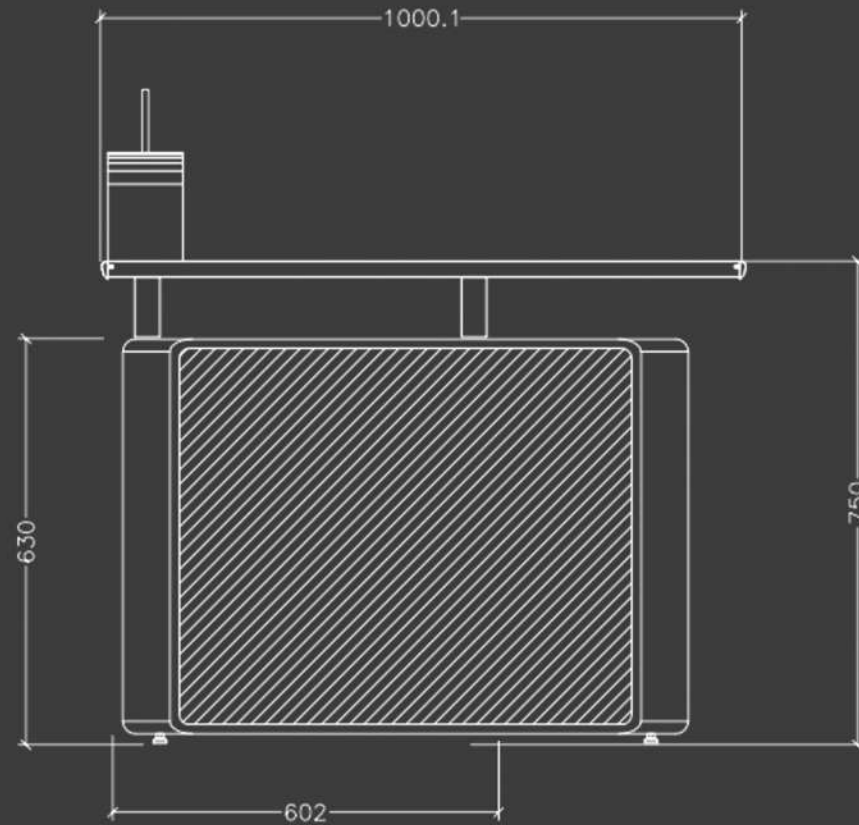


3004 Teak



0166 cherry wood

☰ Product Size



KCF-22



BEIJING KESINO ENGINEERING TECHNOLOGY CO., LTD

ADDRESS

BEIJING OFFICE
40-1905, Tiantong Yuan,
Changping District,
Beijing, 102218, China

GUANGZHOU OFFICE
HELENBORG CREATIVE PARK,
XISHAN ROAD, PANYU DISTRICT,
GUANGZHOU, CHINA

KESINO FACTORY
TANGHE COUNTY, NANYANG
CITY, HENAN PROVINCE,
473410, CHINA

ONLINE
TELEPHONE: 4008313600
WEBSITE: WWW.KESINOCONSOLES.COM