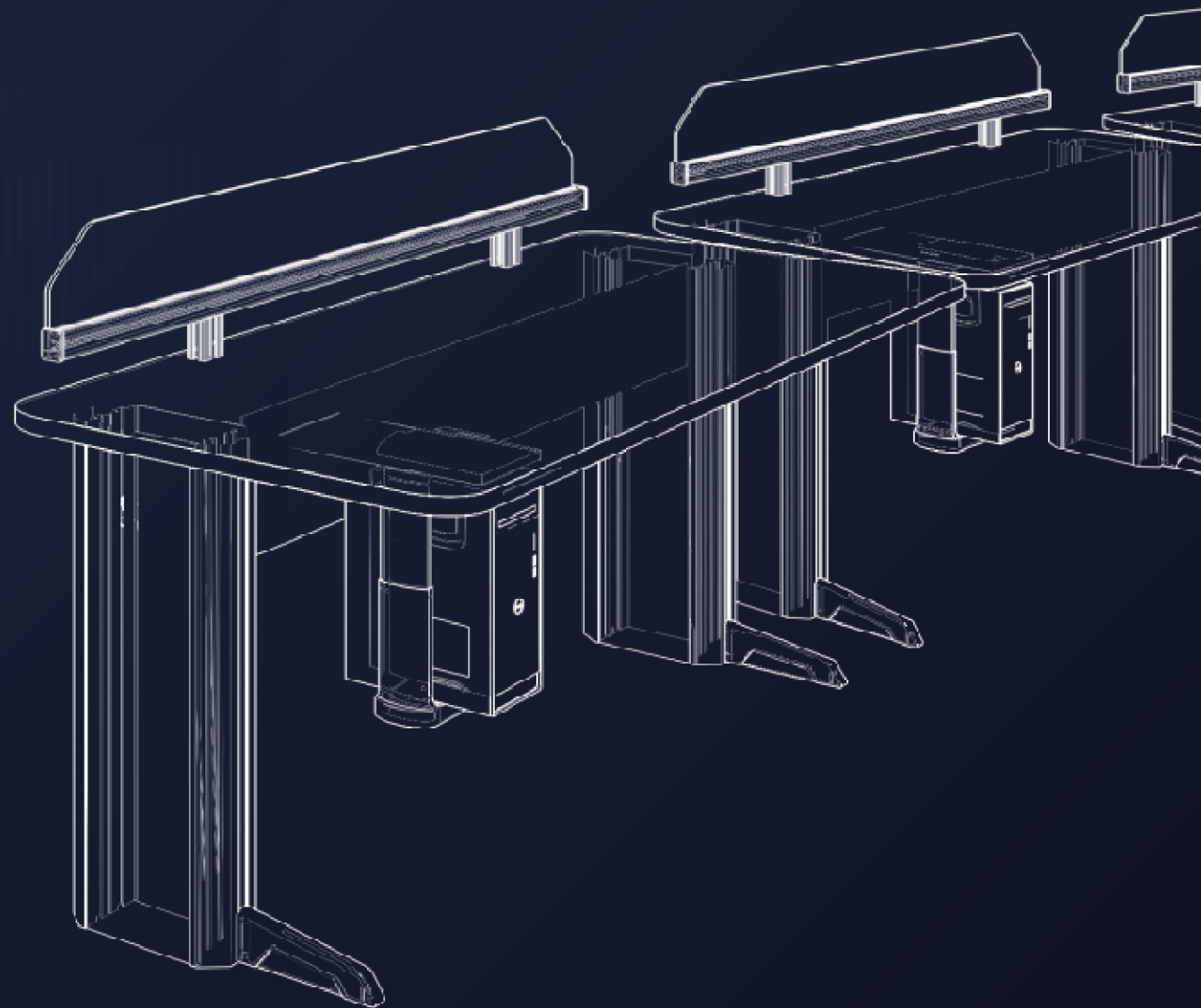


Control Center Industry Expert

Excellent overall solution service provider
for control center





CONTROL CENTER ERGONOMICS FURNITURE

“Welcome to KESINO to learn about KESINO, our design philosophy is **technology/idea/promise**, to provide sincere service to customers, and achieve the trust.”



BEIJING KESINO ENGINEERING TECHNOLOGY CO., LTD

Factory area

- The company covers an area of **130,000 square meters** and has a large-scale science fiction exhibition hall of **1,200 square meters**.

Equipment

- Has introduced a number of high-precision processing equipment, automatic AMADA laser cutting machine, AMADA CNC turret punch, AMADA CNC bending machine, automatic welding robot and various processing equipment, and built a sheet metal spraying workshop and processing equipment workshop.

Customer service

- At present, we have passed a number of global quality and environmental protection certifications, and have successfully provided professional control center products to **3000+ customers** around the world, with services covering several continents such as Asia, Africa, Europe, and the United States. In 2020, as a well-known national enterprise, KESINO will go abroad to the world and become the world's top professional control center solution service provider.



Company
Introduction



“Products are widely used in
many fields, including”

TV Broadcasting Center
Police call center
Mining dispatch center
Air Traffic Control Center (ATC)
Emergency Task Center
Financial Securities Center
Satellite Launch Mission Center





CONTROL CENTER
ERGONOMICS FURNITURE

Sincere service, achievement entrusted



**Forward-looking
design**



**Technological
innovation**



**International
standard**



win-win



Craftsmanship



**Full
service**

Authoritative qualification certification

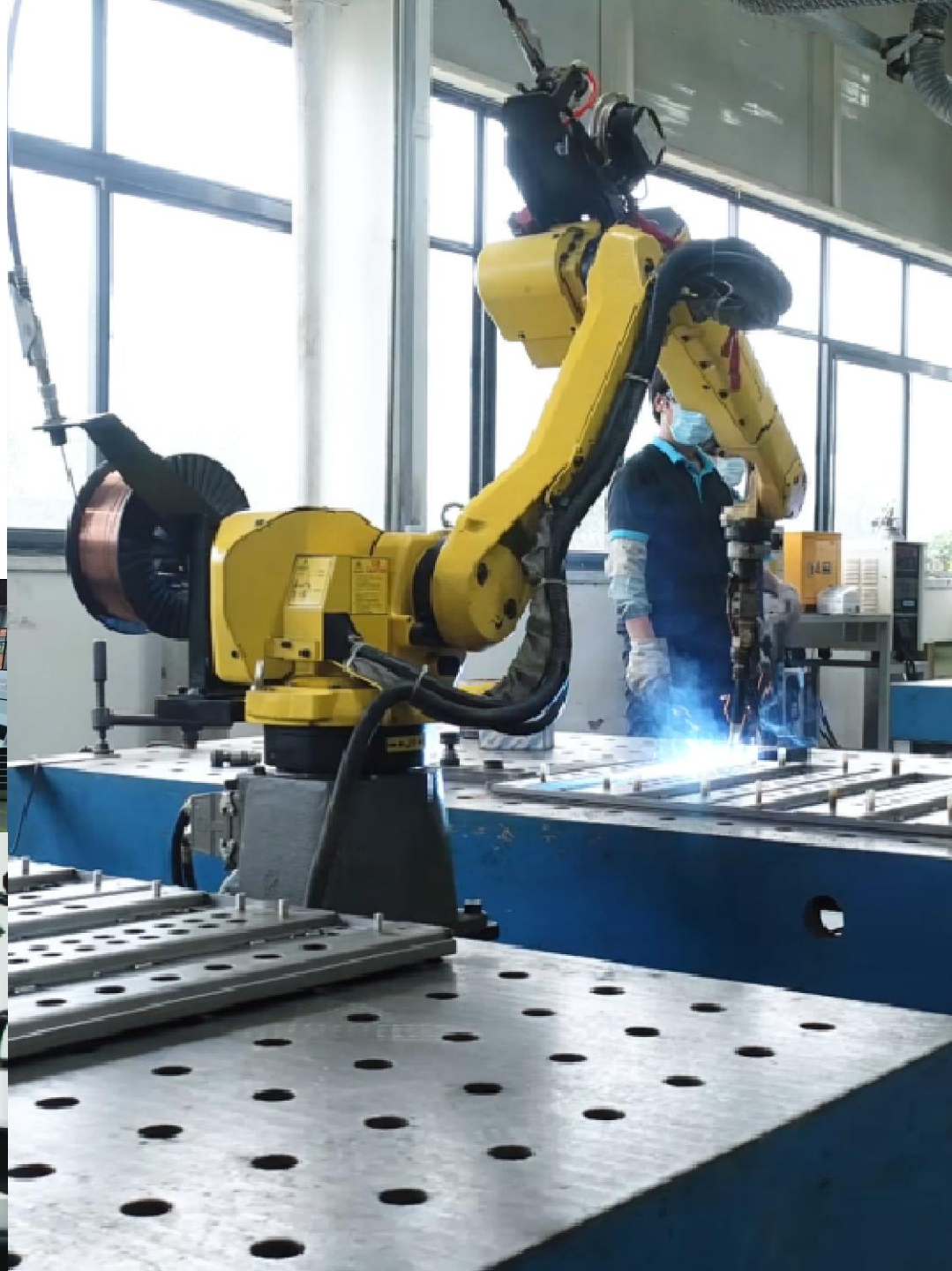


- **ISO14001: 2004** Environmental Management System
- The company passed the **ISO9001:2008** quality management system
- OHSAS18001: 2007 Occupational Health and Safety Management System Certification
- Independent research and development to obtain a number of national patent technology certificates
- The products have passed **SGS** testing and certification, passed the American standard **BIFMA** test, and the European standard **CE** test.
- The product has passed the **CMA** testing certification of the national designated testing agency.
- Product materials have passed **ROSH** testing and certification, and have a non-toxic green environmental protection mark.



“
45 days
Product lead time
”

- ① Intensify the shape of the machine
- ② Bending
- ③ Welding
- ④ Polishing
- ⑤ Powder spraying paint
- ⑥ Combine the whole machine



Fumigation-free wooden box packaging

The panel is flat, not easy to deform, and is reinforced with high-strength screws, which has good firmness and high compressive resistance and high load-bearing performance.

No pests, no fumigation, no inspection, and direct export



Fumigation-free wooden box packaging

Classic Console

The new generation of Console series,
the optimization and innovation of
appearance and function

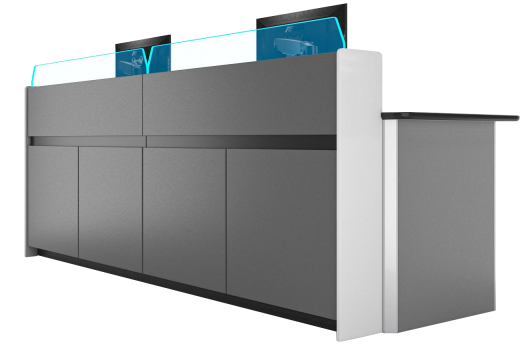
KCA-22

CONTROL ROOM CONSOLE PROVIDER



Classic console KCA series

The new generation of KCA series, the optimization and innovation of appearance and function



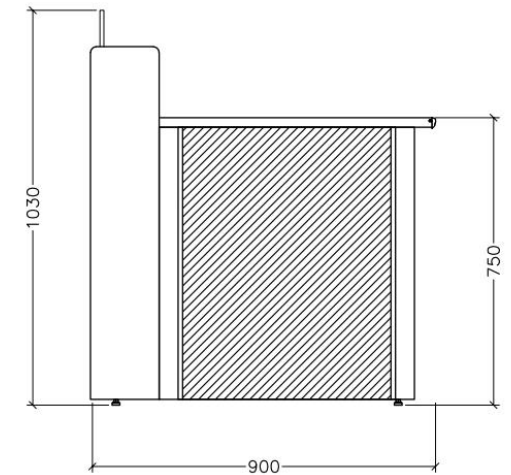
Size parameters

Appearance size:
D=900MM H=750MM W=U+200MM

Module width size U:
U=1200MM

Base cabinet space:
W=1160MM D=400MM

Standard color:
Side panel gray and black / Desktop warm white



KCA-22-P

CONTROL ROOM CONSOLE PROVIDER



Classic console KCA series

The new generation of KCA series, the optimization and innovation of appearance and function



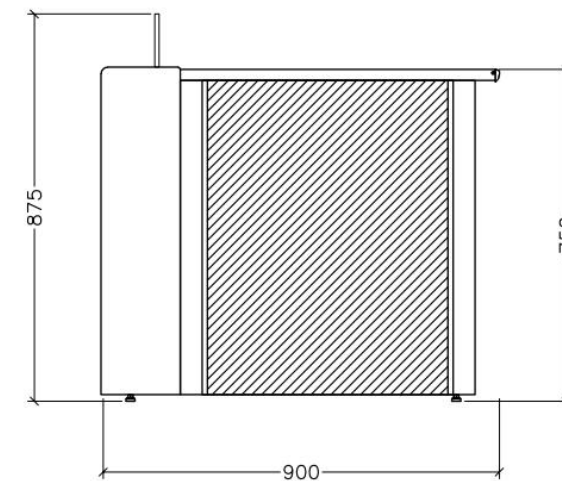
Size parameters

Appearance size:
D=900MM H=750MM W=U+200MM

Module width size U:
U=1200MM

Base cabinet space:
W=1160MM D=400MM

Standard color:
Side panel gray and black / Desktop warm white



KCB-22

CONTROL ROOM CONSOLE PROVIDER



Classic console KCB series

The new generation of KCB series, the optimization and innovation of appearance and function



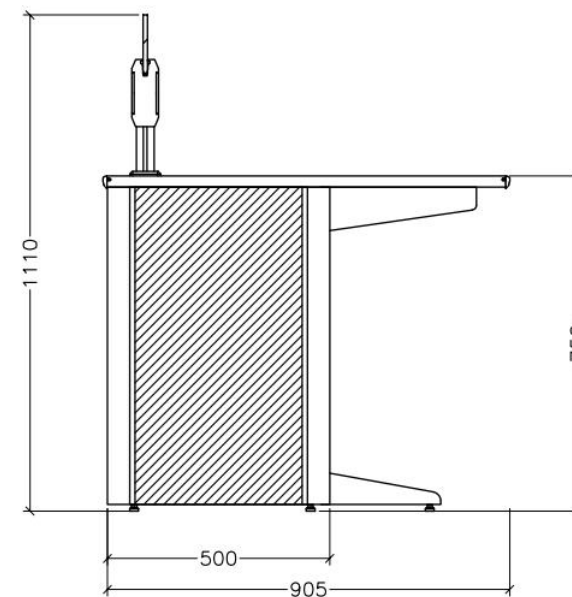
Size parameters

Appearance size:
D=900MM H=750MM W=U+200MM

Module width size U:
U=1200MM

Base cabinet space:
W=1160MM D=400MM

Standard color:
Side panel gray and black
Desktop warm white



KCB-22-E

CONTROL ROOM CONSOLE PROVIDER



Classic console KCB series

The new generation of KCB series, the optimization and innovation of appearance and function



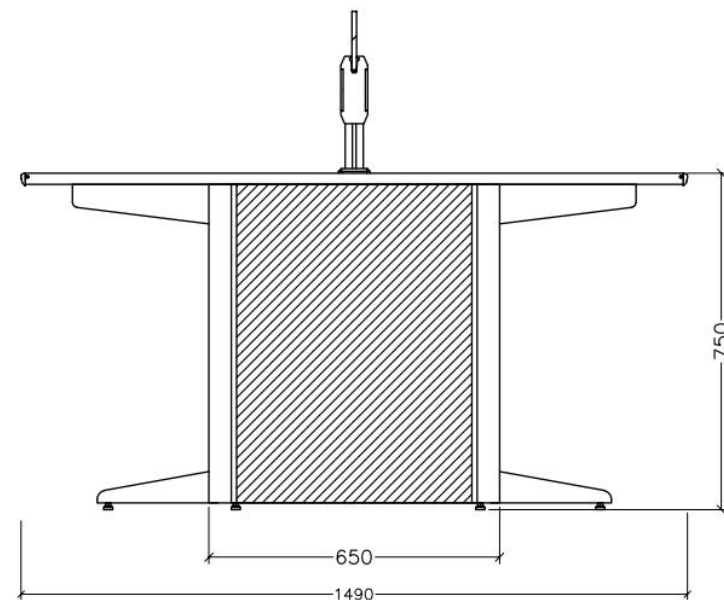
Size parameters

Appearance size:
D=1490MM H=750MM W=U+200MM

Module width size U:
U=1200MM

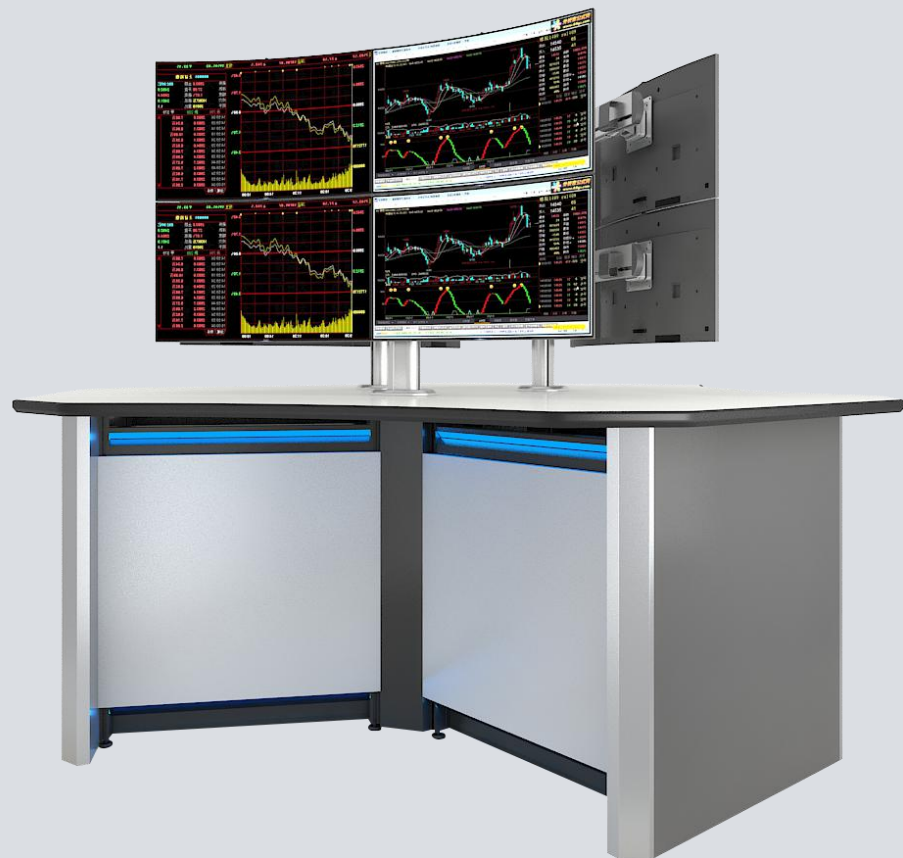
Base cabinet space:
W=1160MM D=400MM

Standard color:
Side panel gray and black
Desktop warm white



KCB-22-X

CONTROL ROOM CONSOLE PROVIDER



Classic console KCB series

The new generation of KCB series, the optimization and innovation of appearance and function



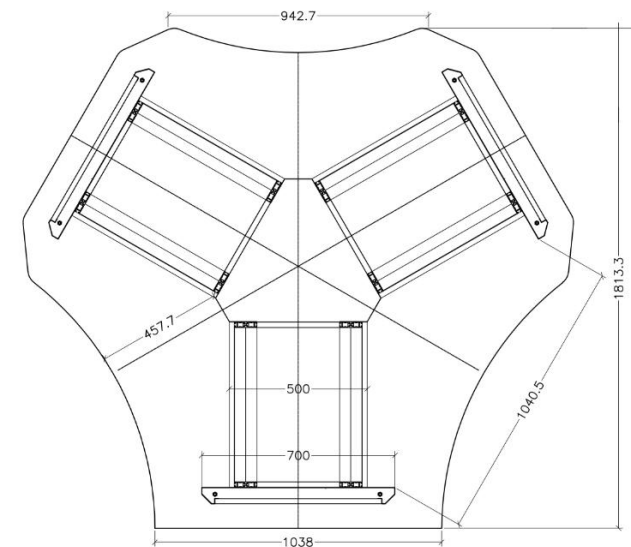
Size parameters

Appearance size:
Neno

COMBINATION:
Neno

Base cabinet space:
Neno

Standard color:
Side panel gray and black
Desktop warm white



KCB-H-S

CONTROL ROOM CONSOLE PROVIDER



Classic console KCB series

The new generation of KCB series, the optimization and innovation of appearance and function



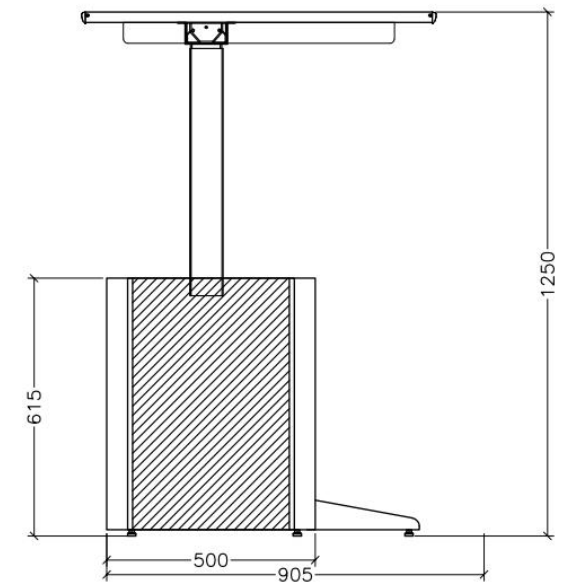
Size parameters

Appearance size:
D=850MM H=750MM W=U+200MM

Module width size U:
U=1200MM

Base cabinet space:
W=1160MM D=400MM

Standard color:
Side panel gray and black
Desktop warm white



KCB-H-D

CONTROL ROOM CONSOLE PROVIDER



Classic console KCB series

The new generation of KCB series, the optimization and innovation of appearance and function



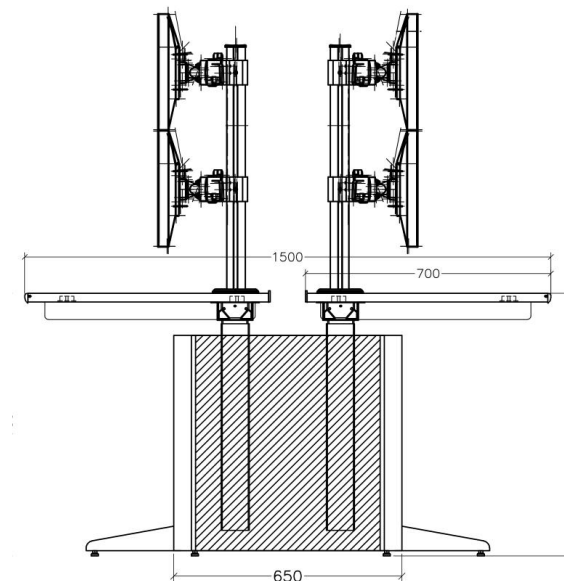
Size parameters

Appearance size:
D=1500MM H=750MM W=U+200MM

Module width size U:
U=1200MM

Base cabinet space:
W=1160MM D=400MM

Standard color:
Side panel gray and black
Desktop warm white



KCD-22

CONTROL ROOM CONSOLE PROVIDER



Classic console KCD series

The new generation of KCD series, the optimization and innovation of appearance and function



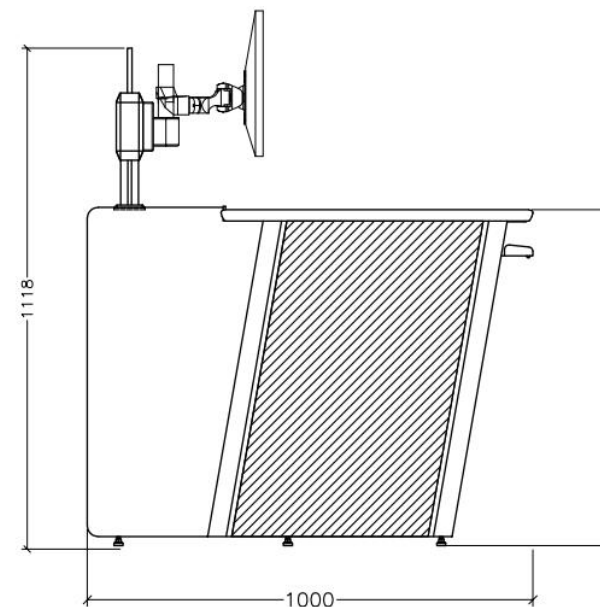
Size parameters

Appearance size:
D=1000MM H=750MM W=U+200MM

Module width size U:
U=1200MM

Base cabinet space:
W=1160MM D=400MM

Standard color:
Side panel gray and black
Desktop warm white



KCD-22-P

CONTROL ROOM CONSOLE PROVIDER



Classic console KCD series

The new generation of KCD series, the optimization and innovation of appearance and function



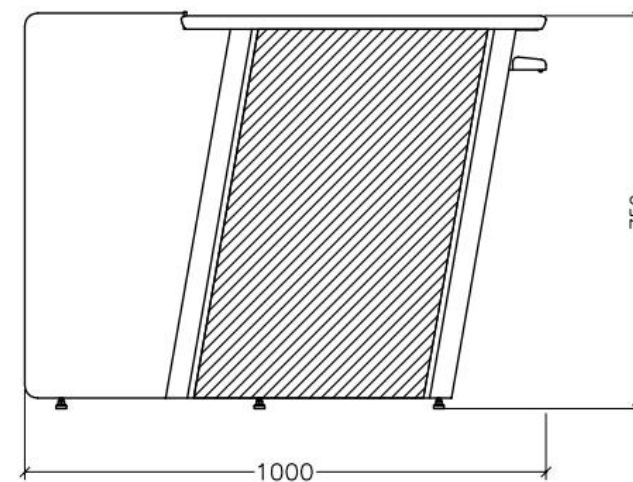
Size parameters

Appearance size:
D=1000MM H=750MM W=U+200MM

Module width size U:
U=1200MM

Base cabinet space:
W=1160MM D=400MM

Standard color:
Side panel gray and black
Desktop warm white



KCD-18

CONTROL ROOM CONSOLE PROVIDER



Classic console KCD series

The new generation of KCD series, the optimization and innovation of appearance and function



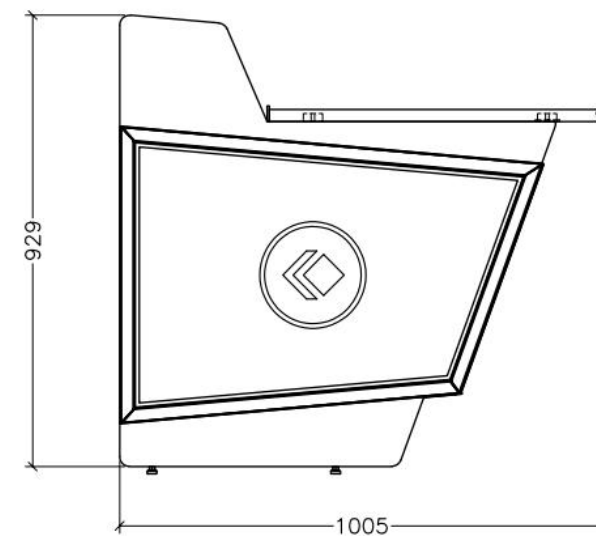
Size parameters

Appearance size:
D=1000MM H=750MM W=U+200MM

Module width size U:
U=1200MM

Base cabinet space:
W=1160MM D=400MM

Standard color:
Side panel gray and black
Desktop warm white



KCF-22

CONTROL ROOM CONSOLE PROVIDER



Classic console KCF series

The new generation of KCF series, the optimization and innovation of appearance and function



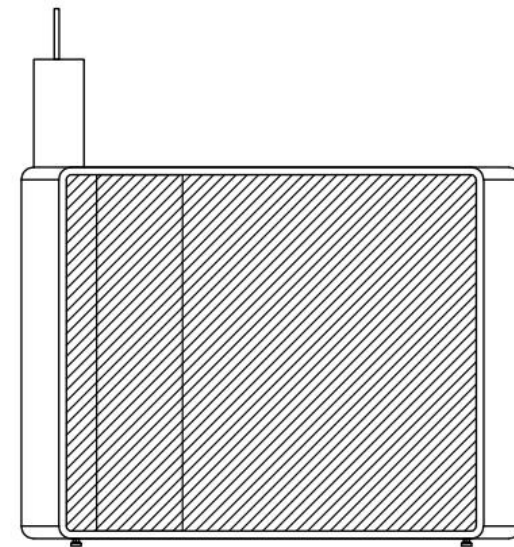
Size parameters

Appearance size:
D=1000MM H=750MM W=U+200MM

Module width size U:
U=1200MM

Base cabinet space:
W=1160MM D=400MM

Standard color:
Side panel gray and black
Desktop warm white



KCF-22-P

CONTROL ROOM CONSOLE PROVIDER



Classic console KCF series

The new generation of KCF series, the optimization and innovation of appearance and function



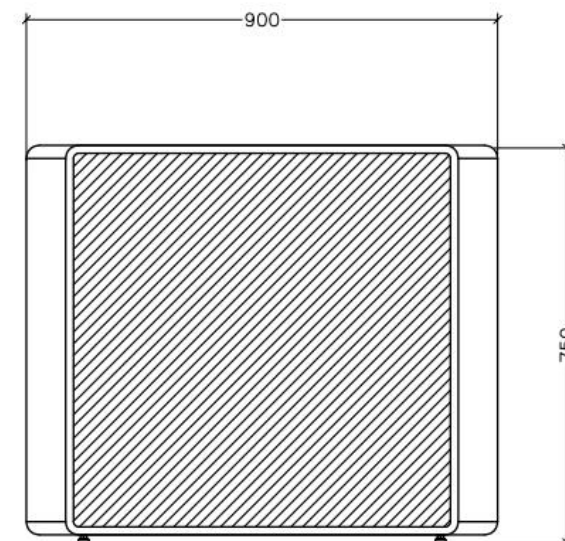
Size parameters

Appearance size:
D=1000MM H=750MM W=U+200MM

Module width size U:
U=1200MM

Base cabinet space:
W=1160MM D=400MM

Standard color:
Side panel gray and black
Desktop warm white



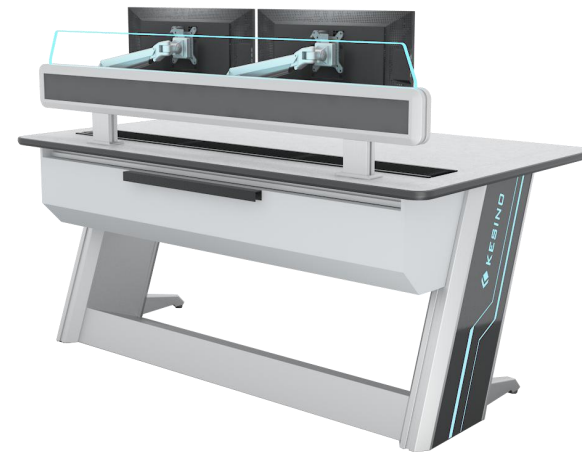
KCG-22

CONTROL ROOM CONSOLE PROVIDER



Classic console KCG series

The new generation of KCG series, the optimization and innovation of appearance and function



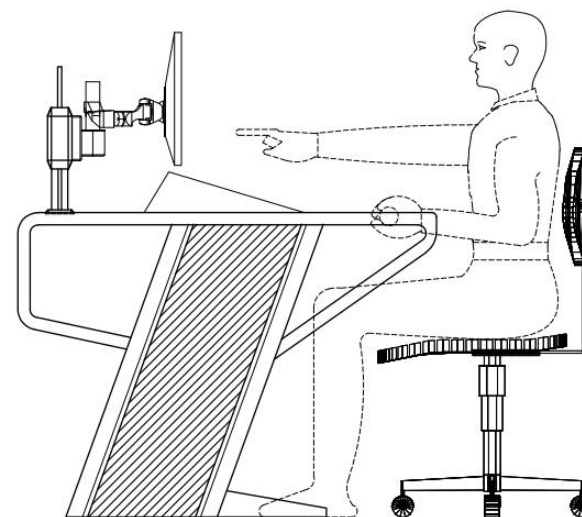
Size parameters

Appearance size:
Neno

COMBINATION:
Neno

Base cabinet space:
Neno

Standard color:
Side panel gray and black
Desktop warm white



KCG-22-S

CONTROL ROOM CONSOLE PROVIDER



Classic console KCG series

The new generation of KCG series, the optimization and innovation of appearance and function



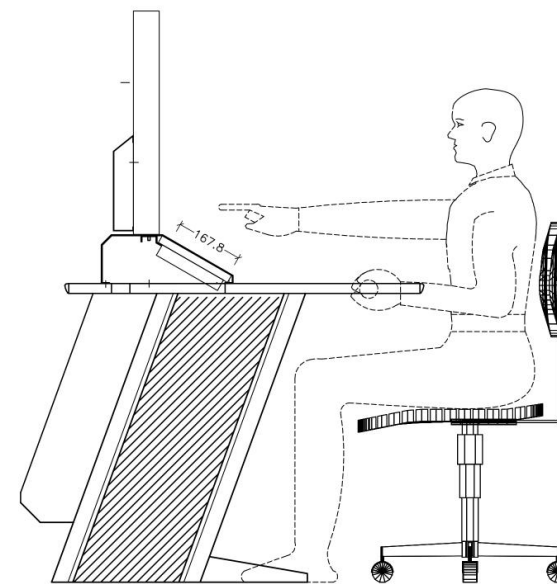
Size parameters

Appearance size:
Neno

COMBINATION:
Neno

Base cabinet space:
Neno

Standard color:
Side panel gray and black
Desktop warm white



KCH-22-A

CONTROL ROOM CONSOLE PROVIDER



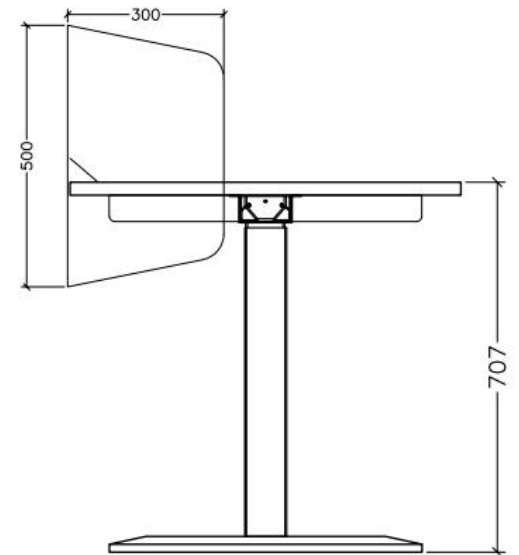
Classic console KCH series

The new generation of KCH series, the optimization and innovation of appearance and function



Size parameters

Appearance size:
D=755MM
H=700MM
W=1400MM



KCH-22-B

CONTROL ROOM CONSOLE PROVIDER



Classic console KCH series

The new generation of KCH series, the optimization and innovation of appearance and function



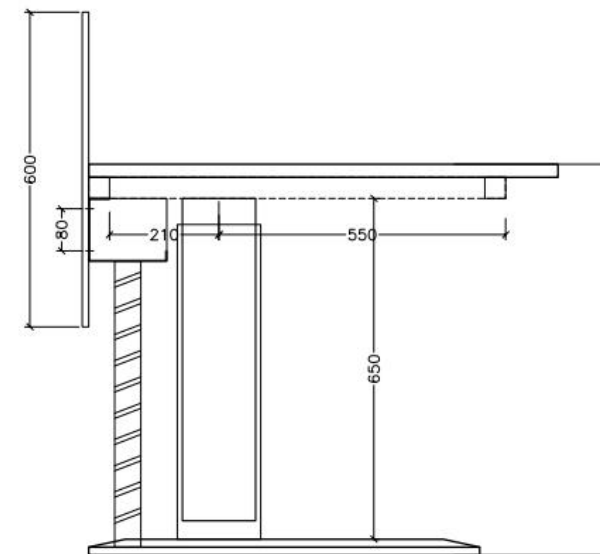
Size parameters

Appearance size:
Neno

COMBINATION:
Neno

Base cabinet space:
Neno

Standard color:
Side panel gray and black
Desktop warm white

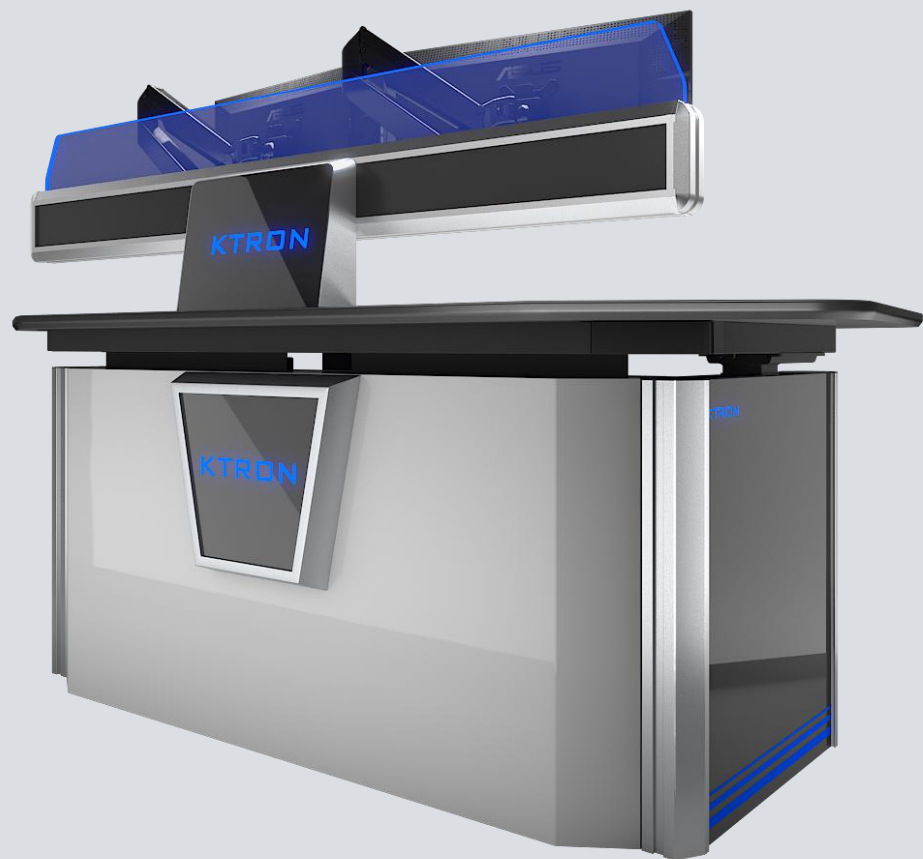


Classic Console

The new generation of Console series,
the optimization and innovation of
appearance and function

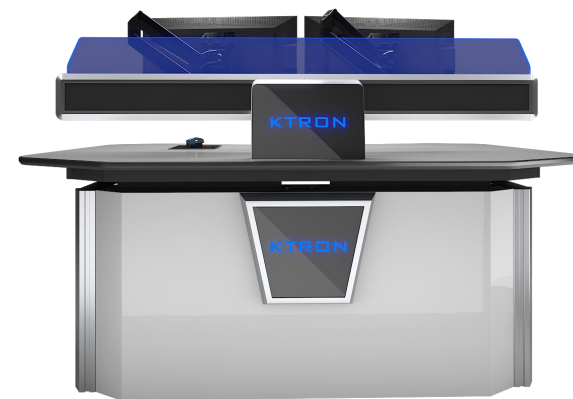
KTH-22

CONTROL ROOM CONSOLE PROVIDER



Classic console KTH series

The new generation of KTH series, the optimization and innovation of appearance and function



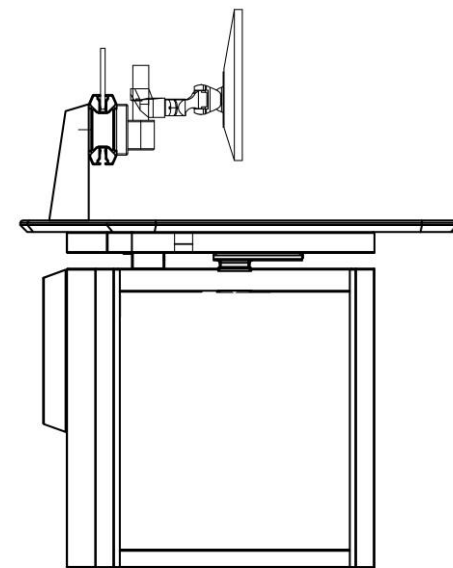
Size parameters

Appearance size:
Neno

COMBINATION:
Neno

Base cabinet space:
Neno

Standard color:
Side panel gray and black
Desktop warm white



KTC-22-A

CONTROL ROOM CONSOLE PROVIDER



Classic console KTC series

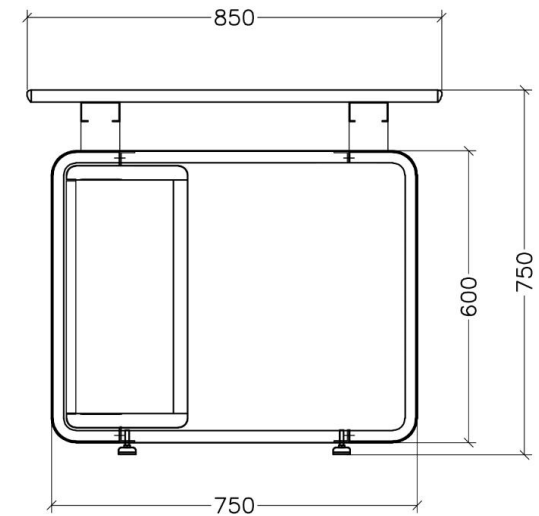
The new generation of KTC series, the optimization and innovation of appearance and function



Size parameters

Appearance size:
D=850MM H=750MM W=1200MM

Standard color:
Side panel gray and black / Desktop warm white



KTC-22-B

CONTROL ROOM CONSOLE PROVIDER



Classic console KTC series

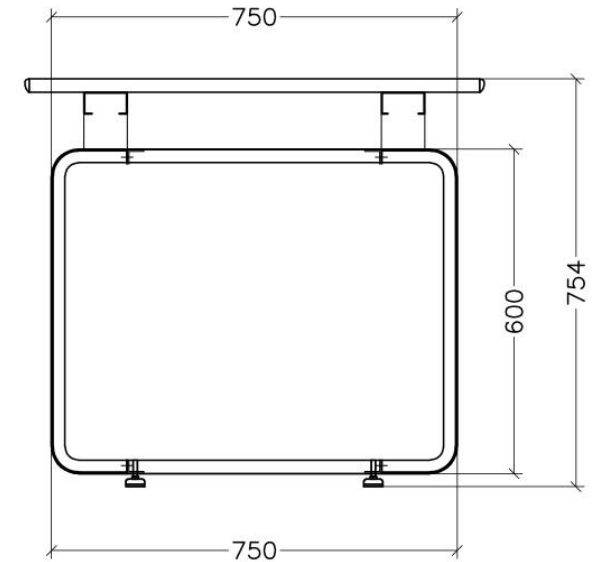
The new generation of KTC series, the optimization and innovation of appearance and function



Size parameters

Appearance size:
D=850MM H=750MM W=1200MM

Standard color:
Side panel gray and black / Desktop warm white



KTC-22-X

CONTROL ROOM CONSOLE PROVIDER



Classic console KTC series

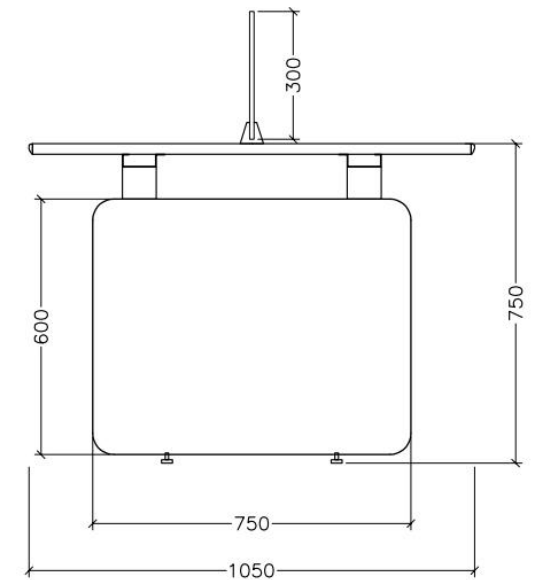
The new generation of KTC series, the optimization and innovation of appearance and function



Size parameters

Appearance size:
D=1050MM H=750MM W=1200MM

Standard color:
Side panel gray and black / Desktop warm white



KTC-22-X

CONTROL ROOM CONSOLE PROVIDER

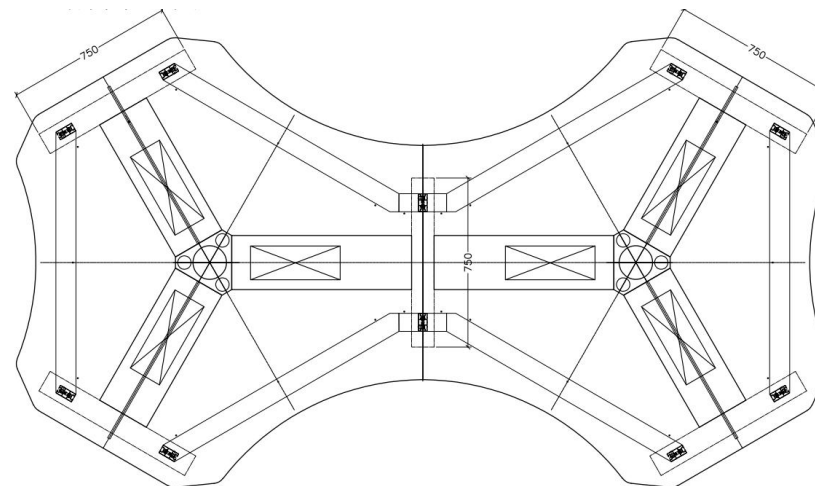


Classic console KTC series

The new generation of KTC series, the optimization and innovation of appearance and function



Size parameters



Meeting

The new generation of meeting series,
the optimization and innovation of
appearance and function

MTA-22

CONTROL ROOM CONSOLE PROVIDER



Intelligent console MTA series

The new generation of MTA series, the optimization and innovation of appearance and function



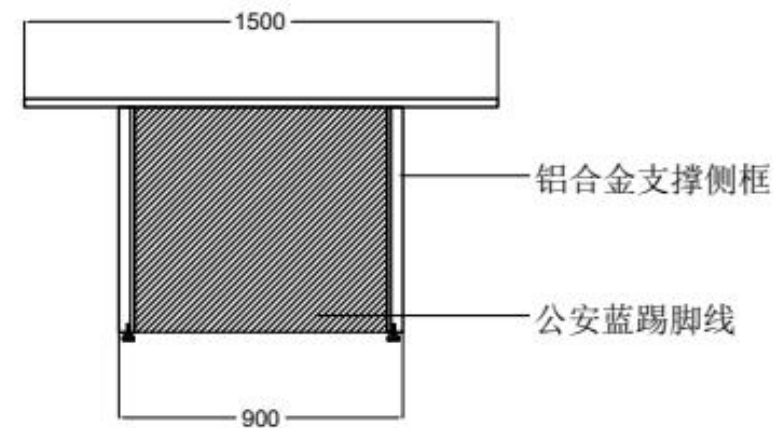
Size parameters

Appearance size:
D=1500MM H=750MM W=4000MM

COMBINATION:
Neno

Base cabinet space:
Neno

Standard color:
Side panel gray and black
Desktop warm white



MTB-22

CONTROL ROOM CONSOLE PROVIDER



Intelligent console MTB series

The new generation of MTB series, the optimization and innovation of appearance and function



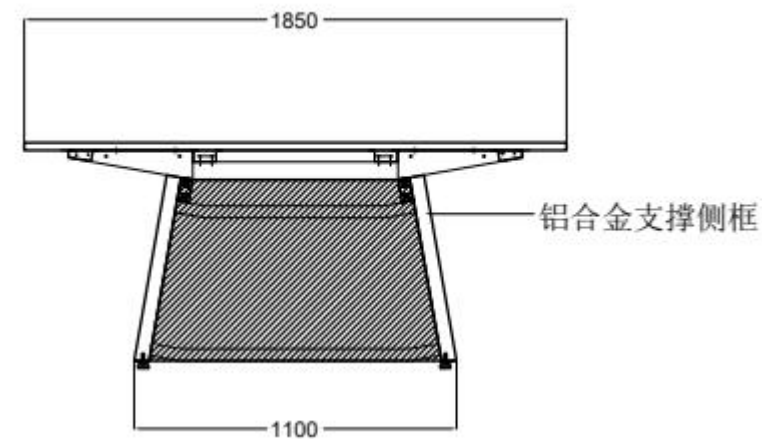
Size parameters

Appearance size:
D=1850MM H=750MM W=4570MM

COMBINATION:
Neno

Base cabinet space:
Neno

Standard color:
Side panel gray and black
Desktop warm white



MTE-22

CONTROL ROOM CONSOLE PROVIDER



Intelligent console MTE series

The new generation of MTE series, the optimization and innovation of appearance and function

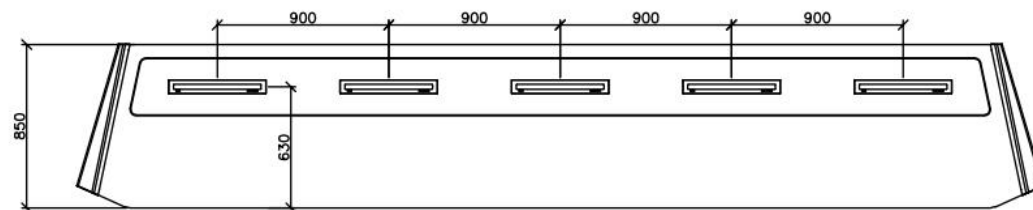


Size parameters

Appearance size:
Neno

COMBINATION:
Neno

Base cabinet space:
Neno



MTH-22

CONTROL ROOM CONSOLE PROVIDER



Meeting MTH series

The new generation of MTH series, the optimization and innovation of appearance and function



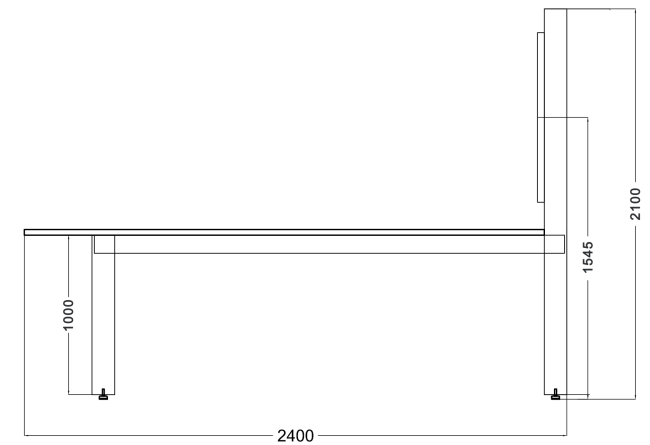
Size parameters

Appearance size:
D=1200MM H=2100MM W=2400MM

COMBINATION:
Neno

Base cabinet space:
Neno

Standard color:
Side panel gray and black
Desktop warm white



Cooperation case show

TV Broadcasting Center

Police call center

Mining dispatch center

Air Traffic Control Center (ATC)

Emergency Task Center

Financial Securities Center

Satellite Launch Mission Center







WYTBOLING

| PORT | ARTIFACT | LINK | STATUS | DATE |
|-----------------------|--------------|------|--------|------|
| PORT ARTHUR | LINK CHANGES | ... | ... | ... |
| BRIDGE WILLIAM SQUARE | LINK CHANGES | ... | ... | ... |
| SAN DIEGO | LINK CHANGES | ... | ... | ... |
| SAN FRANCISCO | LINK CHANGES | ... | ... | ... |
| SAN JUAN | LINK CHANGES | ... | ... | ... |
| SALT WTE NAME | LINK CHANGES | ... | ... | ... |

The Content of the Port has the following Links for the following artifacts
within CDP Zone.

The workstation features three ergonomic chairs and three computer monitors. The left monitor displays a data visualization with a shield icon and binary code. The middle and right monitors show a green shield icon with a keyhole. The desk is illuminated with blue light.















BEIJING KESINO ENGINEERING TECHNOLOGY CO., LTD

ADDRESS

BEIJING OFFICE
40-1905, Tiantong Yuan,
Changping District, Beijing,
102218, China

GUANGZHOU OFFICE
HELENBORG CREATIVE PARK,
XISHAN ROAD, PANYU DISTRICT,
GUANGZHOU, CHINA

KESINO FACTORY
TANGHE COUNTY, NANYANG
CITY, HENAN PROVINCE,
473410, CHINA

ONLINE

EMAIL : VICKY@KESINOCONSOLES.COM
WECHAT : +86 13561181983
WHAT'S APP: +86 13561181983
WEBSITE: WWW.KESINOCONSOLES.COM